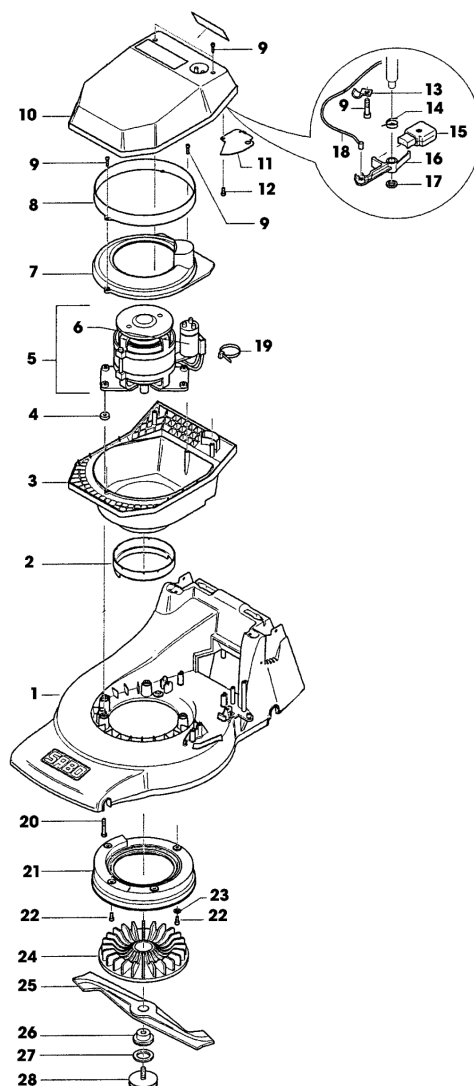


43-EL TURBOSTAR EDV-NR.SA107 - GEHAEUSE, MOTOR, MESSERBALKEN

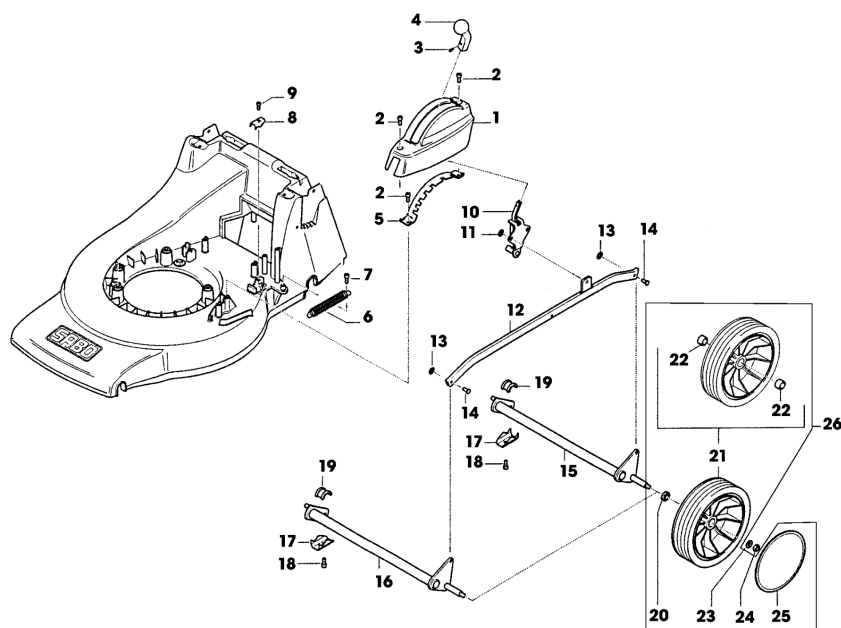


SA000639

43-EL TURBOSTAR EDV-NR.SA107 - GEHAEUSE, MOTOR, MESSERBALKEN



| TEIL | STCK.NR | BEZEICHNUNG | STCK. | SER-NR.- | -SER-NR. | BEMERKUNG |
|------|----------|--|-------|----------|----------|----------------------------|
| 1 | SA36250 | MAEHGEHAEUSE | 1 | | 002556 | |
| | SAA32686 | MAEHGEHAEUSE | 1 | 002557 | | |
| 2 | SA36218 | SCHUTZ | 1 | | | |
| 3 | SA36215 | TRAEGER | 1 | | | |
| 4 | SA16162 | ISOLATOR | 3 | | | |
| 5 | SA34694 | ELEKTROMOTOR | 1 | | | 1500W |
| 6 | SA30966 | KONDENSATOR | 1 | | | 20 MY/F |
| 7 | SA36214 | LUFTFUEHRUNG | 1 | | | |
| 8 | SA36217 | SCHUTZ | 1 | | | |
| 9 | SA15882 | SCHRAUBE | 5 | | | KB 50X20 |
| 10 | SA36213 | MONTAGEBANDTEILE | 1 | | | |
| | SA11286 | HAUBE | 1 | | | (A) |
| | SA30911 | ELEKTR. STECKVERBINDUNG | 1 | | | (A) |
| | SA12632 | ELEKTR. STECKVERBINDUNG | 1 | | | (A) |
| 11 | SA36235 | DECKEL | 1 | | | |
| 12 | SA34487 | SCHRAUBE | 1 | | | K60X14 |
| 13 | SA11311 | KLEMME | 1 | | | |
| 14 | SA11316 | FEDER | 1 | | | |
| 15 | SA30476 | SCHALTER | 1 | | | |
| 16 | SA30494 | HEBEL | 1 | | | |
| 17 | SA18745 | WELLEGELENKSICHERUNGSSTI | 1 | | | |
| 18 | SA33261 | SEILZUG | 1 | | | |
| 19 | SA35338 | KABELBINDER | 3 | | | 85 MM |
| 20 | SA15883 | SCHRAUBE | 3 | | | K 70X45 |
| 21 | SA36688 | LUEFTERHAUBE | 1 | | | (SUB FOR SA36108) |
| 22 | SA34452 | SCHRAUBE | 4 | | | DUO TAPTITE CM 6,0X14 |
| 23 | SA34610 | SCHEIBE | 1 | | | |
| 24 | SA35153 | LUEFTER | 1 | | | (B) NSEP (ORD SAA10122) |
| 25 | SAA34454 | MESSER | 1 | | | |
| 26 | SA34097 | FLANSCH | 1 | | | (FOR SA35153) |
| 27 | SA34273 | SCHEIBE | 1 | | | |
| 28 | SA37472 | SCHRAUBE | 1 | | | (SUB FOR SA16549) |
| | | (A) AUSFUEHRUNG SCHWEIZ | | | | |
| | | (B) TEILESATZ SAA10122 BEINHALTET AUCH FLANSCH SA37318 UND SCHRAUBE SA37472 | | | | |

43-EL TURBOSTAR EDV-NR.SA107 - VORDER- UND HINTERACHSE

SA000641

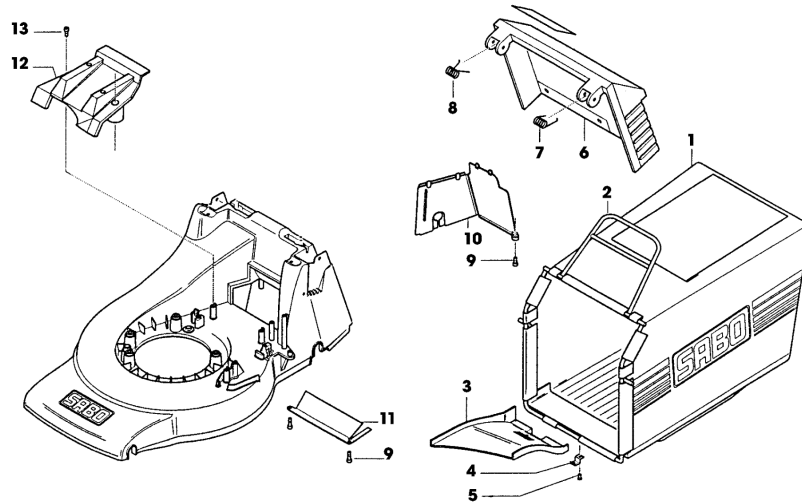
43-EL TURBOSTAR EDV-NR.SA107 - VORDER- UND HINTERACHSE

| TEIL | STCK.NR | BEZEICHNUNG | STCK. | SER-NR.- | -SER-NR. | BEMERKUNG |
|------|----------|--|-------|----------|----------|--------------------------|
| 1 | SAU10016 | ABDECKUNG | 1 | | | (SUB FOR SA36095) |
| 2 | SA34452 | SCHRAUBE | 3 | | | DUO TAPTITE CM 6,0X14 |
| 3 | SA35023 | SCHRAUBE | 1 | | | EJOT 30X8 |
| 4 | SA35086 | GRIFF | 1 | | | |
| 5 | SA36116 | SEGMENT | 1 | | | |
| 6 | SA35273 | ZUGFEDER | 1 | | | |
| 7 | SA34452 | SCHRAUBE | 1 | | | DUO TAPTITE CM 6,0X14 |
| 8 | SA36388 | KLEMME | 1 | | | (SUB FOR SA15174) |
| 9 | SA29854 | SCHRAUBE | 1 | | | (A) M5X12 |
| 10 | SAA36100 | HEBEL | 1 | | | |
| 11 | SA34282 | FEDERMUTTER | 1 | | | 8 |
| 12 | SA36098 | VERBINDUNGSSTANGE | 1 | | | |
| 13 | SA12973 | FEDERMUTTER | 2 | | | (A) D6 |
| 14 | SA17006 | BOLZEN | 2 | | | 6 H11X 13,5 |
| 15 | SA36129 | HINTERACHSE | 1 | | | REAR |
| 16 | SA34451 | ACHSE | 1 | | | FRONT |
| 17 | SA36261 | KLEMME | 4 | | 002556 | (SUB FOR SA34649) |
| | SA36261 | KLEMME | 4 | 002557 | | |
| 18 | SA29854 | SCHRAUBE | 4 | | | M5X12 |
| 19 | SA31711 | LAGERSCHALE | 4 | | | |
| 20 | SA35229 | SCHEIBE | 4 | | | |
| 21 | SA34392 | RAD KPL. MIT BEREIFUNG | 4 | | | (B) 180 MM |
| 22 | SA33229 | KUGELLAGER | 8 | | | |
| 23 | SA15213 | UNTERLEGSCHIEBE | 4 | | | (A) A8,4 |
| 24 | 14M7327 | SICHERUNGSMUTTER | 4 | | | (A) M8 (SUB FOR SA11998) |
| 25 | SA36555 | DECKEL | 4 | | | (SUB FOR SA33231) |
| 26 | SAA35403 | RAD | 4 | | | ASSY, 180 MM |
| | | (A) WERDEN NUR NOCH IN PACKMENGEN GELIEFERT | | | | |
| | | (B) WENN BESTAND AUFGEBRAUCHT BESTELLE BAUGRUPPE SAA35403 | | | | |

43-EL TURBOSTAR EDV-NR.SA107 - FUEHRUNGSHOLM, STARTER

| TEIL | STCK.NR | BEZEICHNUNG | STCK. | SER-NR.- | -SER-NR. | BEMERKUNG |
|---|-----------|-------------------|-------|----------|----------|---------------------------------|
| 1 | SA33212 | ANSCHLAG | 1 | | | |
| 2 | SA31264 | SCHRAUBE | 1 | | | M5X16 |
| 3 | SA36115 | DECKEL | 1 | | | LH, RH |
| 4 | SA36124 | SCHRAUBE | 4 | | | DUO TAPTITE CM 6,0X30 |
| 5 | SA31174 | SECHSKANTSCHRAUBE | 2 | | | M6X100 |
| 6 | SA36094 | GRIFF | 1 | | | |
| 7 | SA34405 | FUEHRUNG | 1 | | | LOW |
| 8 | SA33256 | HALTER | 2 | | | |
| 9 | SA15212 | UNTERLEGSCHIEBE | 2 | | | (A) A 6,4 |
| 10 | SA31121 | FLUEGELMUTTER | 4 | | | (A) |
| 11 | RA1000652 | KABELBINDER | 2 | | | (SUB FOR SA12505) |
| 12 | SA15849 | LENKSTANGE | 1 | | | UP |
| 13 | SA11243 | UNTERLEGSCHIEBE | 2 | | | |
| 14 | SA15632 | SCHRAUBE | 1 | | | M6X45 |
| 15 | SA35190 | FUEHRUNG | 1 | | | M6 |
| 16 | SA15893 | KAPPE | 2 | | | (A) |
| 17 | SA33773 | O-RING | 2 | | | (A) |
| 18 | SA15875 | GEHAEUSE | 1 | | | LH |
| 19 | SA31423 | SCHRAUBE | 6 | | | KB 35X20 |
| 20 | SA32375 | FEDER | 1 | | | |
| 21 | SA17010 | DISTANZSTUECK | 1 | | | |
| 22 | SA15859 | ROLLE | 1 | | | |
| 23 | SA11310 | GEHAEUSE | 1 | | | RH |
| 24 | SA15876 | DRUCKFEDER | 1 | | | |
| 25 | SA11259 | DRUCKKNOPF | 1 | | | |
| 26 | SA11816 | GRIFF | 1 | | | ASSY |
| 27 | SA11809 | GRIFF | 1 | | | |
| 28 | SA15857 | SCHALE | 1 | | | |
| 29 | SA32374 | KLEMME | 2 | | | |
| 30 | SA31745 | KABELHALTER | 1 | | | ASSY |
| 31 | | RING | 1 | | | NSEP (ORD SA31745) |
| 32 | | VERRIEGELUNG | 1 | | | NSEP (ORD SA31745) |
| 33 | | KABELHALTER | 1 | | | NSEP (ORD SA31745) |
| 34 | | DECKEL | 1 | | | NSEP (ORD SA31745) |
| 35 | | SCHRAUBE | 1 | | | NSEP (ORD SA31745) KBL 50X14 |
| 36 | SA33261 | SEILZUG | 1 | | | |
| 37 | SA11311 | KLEMME | 1 | | | |
| 38 | SA16267 | SCHRAUBE | 1 | | | (A) 4,2X13 |
| (A) WERDEN NUR NOCH IN PACKMENGEN GELIEFERT | | | | | | |

43-EL TURBOSTAR EDV-NR.SA107 - FANGTUCH

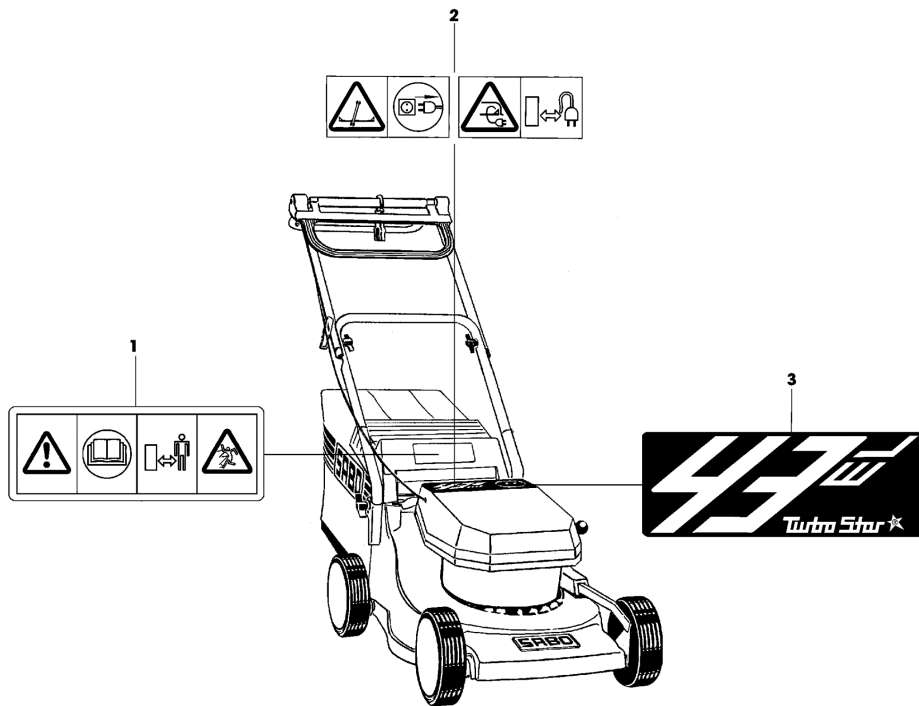


SA000588

43-EL TURBOSTAR EDV-NR.SA107 - FANGTUCH

| TEIL | STCK.NR | BEZEICHNUNG | STCK. | SER-NR.- | -SER-NR. | BEMERKUNG |
|------|----------|--|-------|----------|----------|--|
| 1 | SA36105 | GRASFANGBEHAELTER | 1 | | | |
| 2 | SAA36739 | RAHMEN | 1 | | | (SUB FOR SA36104) |
| 3 | SA33244 | RUTSCHE | 1 | | | |
| 4 | SA17715 | FEDERKLEMME | 1 | | | (A) |
| 5 | | NIET | 1 | | | 3,9X5,7 (ORD SA15541, SA15200, SA15410) |
| 6 | SA36193 | PRALLSCHUTZ | 1 | | | |
| 7 | SA11397 | FEDER | 1 | | | LH |
| 8 | SA31261 | FEDER | 1 | | | RH |
| 9 | SA35503 | SCHRAUBE | 3 | | | DUO TAPTITE CM 60X20 |
| 10 | SA36107 | ABDECKUNG | 1 | | | |
| 11 | SA36109 | BLECH | 1 | | | |
| 12 | SA36092 | SCHUTZ | 1 | | | |
| 13 | SA34452 | SCHRAUBE | 2 | | | DUO TAPTITE CM 6,0X14 |
| | SA522 | GRASFANGBEHAELTER | 1 | | | ASSY |
| | | (A) WERDEN NUR NOCH IN PACKMENGEN GELIEFERT | | | | |

43-EL TURBOSTAR EDV-NR.SA107 - AUFKLEBER



SA000646

43-EL TURBOSTAR EDV-NR.SA107 - AUFKLEBER

| TEIL | STCK.NR | BEZEICHNUNG | STCK. | SER-NR.- | -SER-NR. | BEMERKUNG |
|------|---------|-------------|-------|----------|----------|-----------|
| 1 | SA34669 | AUFKLEBER | 1 | | | |
| 2 | SA35219 | AUFKLEBER | 1 | | | |
| 3 | SA34695 | AUFKLEBER | 1 | | | |