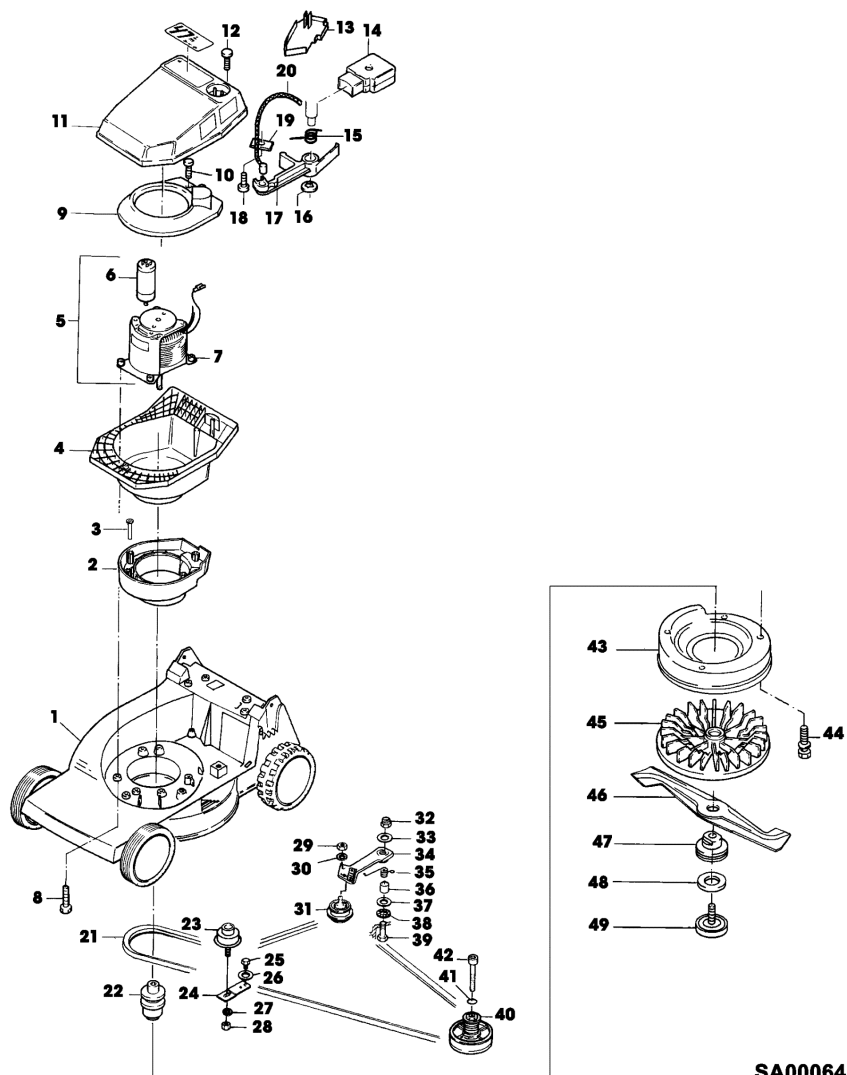


# 47-EL A TURBOSTAR EDV-NR.SA121 - GEHAEUSE, MOTOR, MESSERBALKEN, ANTRIEB



SA000648

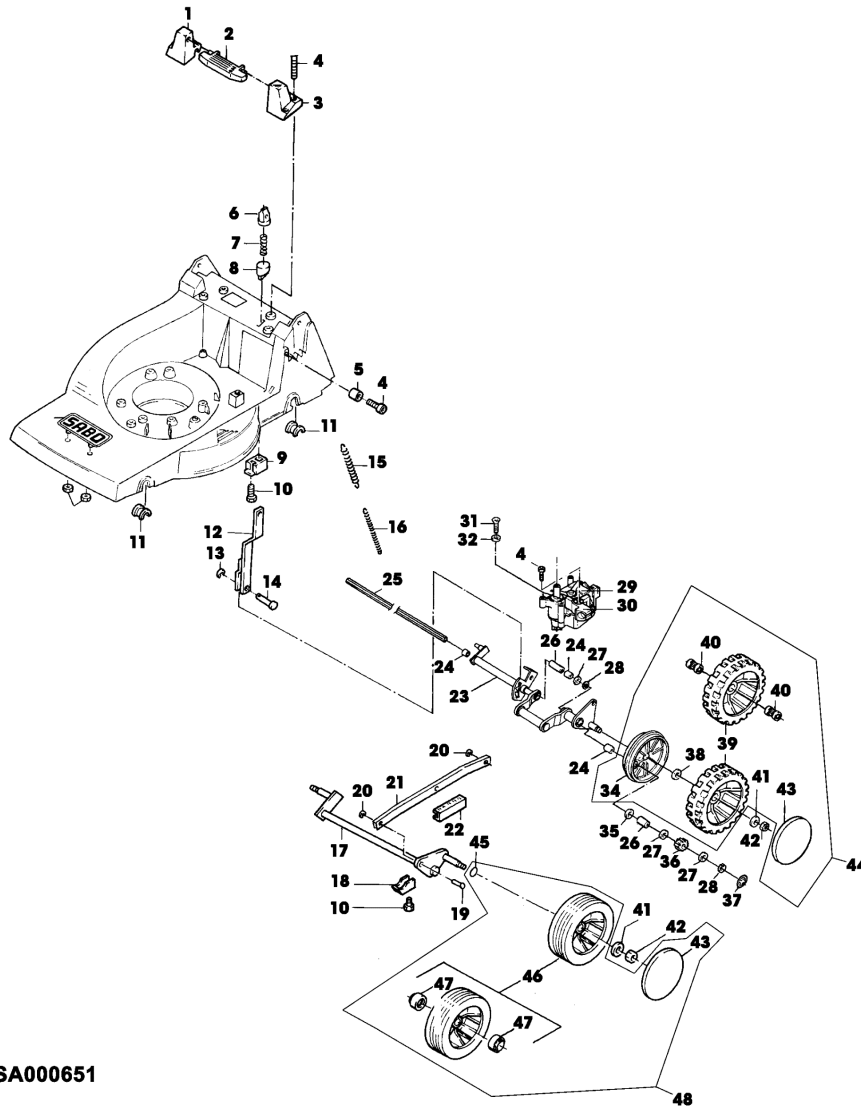
## 47-EL A TURBOSTAR EDV-NR.SA121 - GEHAEUSE, MOTOR, MESSERBALKEN, ANTRIEB



| TEIL | STCK.NR  | BEZEICHNUNG               | STCK. | SER-NR.- | -SER-NR. | BEMERKUNG                  |
|------|----------|---------------------------|-------|----------|----------|----------------------------|
| 1    | SAA33235 | MAEHGEHAEUSE              | 1     |          |          |                            |
| 2    | SA34626  | RING                      | 1     |          |          |                            |
| 3    | SA34851  | HUELSE                    | 4     |          |          |                            |
| 4    | SA36215  | TRAEGER                   | 1     |          |          | (SUB FOR SA15881)          |
| 5    | SA34630  | ELEKTROMOTOR              | 1     |          |          | 1700W                      |
| 6    | SA31860  | KONDENSATOR               | 1     |          |          | 25 MY/F                    |
| 7    | SA16162  | ISOLATOR                  | 4     |          |          |                            |
| 8    | SA34641  | SCHRAUBE                  | 4     |          |          | K70X90                     |
| 9    | SA36214  | LUFTFUEHRUNG              | 1     |          |          | (SUB FOR SA15879)          |
| 10   | SA31377  | SCHRAUBE                  | 2     |          |          | KBL 50X14                  |
| 11   | SAA11284 | HAUBE                     | 1     |          |          | (SUB FOR SA34656)          |
| 12   | SA15882  | SCHRAUBE                  | 2     |          |          | KB 50X20                   |
| 13   | SA30936  | DECKEL                    | 1     |          |          |                            |
| 14   | SA30476  | SCHALTER                  | 1     |          |          |                            |
| 15   | SA11316  | FEDER                     | 1     |          |          |                            |
| 16   | SA18745  | WELLENGELENKSICHERUNGSSTI | 1     |          |          |                            |
| 17   | SA30494  | HEBEL                     | 1     |          |          |                            |
| 18   | SA12182  | SCHRAUBE                  | 1     |          |          | 4,2X19                     |
| 19   | SA11311  | KLEMME                    | 1     |          |          |                            |
| 20   | SA34621  | SEILZUG                   | 1     |          |          |                            |
| 21   | SA33228  | KEILRIEMEN                | 1     |          |          |                            |
| 22   | SA34632  | RIEMENSCHLEIFE            | 1     |          |          |                            |
| 23   | SA30117  | SPANNROLLE                | 1     |          |          |                            |
| 24   | SA29725  | HALTER                    | 1     |          |          |                            |
| 25   | SA29854  | SCHRAUBE                  | 1     |          |          | M5X12                      |
| 26   | SA15229  | UNTERLEGSCHLEIFE          | 1     |          |          | A5,3                       |
| 27   | SA15233  | FEDERRING                 | 1     |          |          | A8                         |
| 28   | SA15413  | MUTTER                    | 1     |          |          | M8                         |
| 29   | SA15413  | MUTTER                    | 1     |          |          | M8                         |
| 30   | SA15233  | FEDERRING                 | 1     |          |          | A8                         |
| 31   | SA16053  | SPANNROLLE                | 1     |          |          |                            |
| 32   | 14M7327  | SICHERUNGSMUTTER          | 1     |          |          | (A) M8 (SUB FOR SA11998)   |
| 33   | SA15207  | UNTERLEGSCHLEIFE          | 1     |          |          | A15                        |
| 34   | SA34925  | ARM                       | 1     |          |          | (SUB FOR SA33226)          |
| 35   | SA33211  | DREHFEDER                 | 1     |          |          |                            |
| 36   | SA17726  | BUECHSE                   | 1     |          |          |                            |
| 37   | SA15213  | UNTERLEGSCHLEIFE          | 1     |          |          | (A) A8,4                   |
| 38   | SA16946  | RING                      | 1     |          |          |                            |
| 39   | SA15306  | SCHRAUBE                  | 1     |          |          | M8X40                      |
| 40   | SAA30451 | RIEMENSCHLEIFE            | 1     |          |          | ASSY                       |
| 41   | SA15202  | UNTERLEGSCHLEIFE          | 1     |          |          | 6,4                        |
| 42   | SA19260  | SCHRAUBE                  | 1     |          |          | M6X60                      |
| 43   | SA36688  | LUEFTERHAUBE              | 1     |          |          | (SUB FOR SA33220, SA36108) |
| 44   | SA29854  | SCHRAUBE                  | 4     |          |          | M5X12                      |
| 45   | SA35232  | LUEFTER                   | 1     |          |          | (B) NSEP (ORD SAA10123)    |

| TEIL | STCK.NR  | BEZEICHNUNG  | STCK. | SER-NR.- | -SER-NR. | BEMERKUNG         |
|------|----------|--|-------|----------|----------|-------------------|
| 46   | SAA33214 | MESSER   | 1     |          |          |                   |
| 47   | SA34097  | FLANSCH  | 1     |          |          | (FOR SA35232)     |
| 48   | SA34273  | SCHEIBE  | 1     |          |          |                   |
| 49   | SA37472  | SCHRAUBE   | 1     |          |          | (SUB FOR SA16549) |
|      |          | (A) WERDEN NUR NOCH IN<br>PACKMENGEN GELIEFERT                                       |       |          |          |                   |
|      |          | (B) TEILESATZ SAA10123<br>BEINHALTET AUCH FLANSCH<br>SA37318 UND SCHRAUBE<br>SA37472 |       |          |          |                   |

# 47-EL A TURBOSTAR EDV-NR.SA121 - GETRIEBE, VORDER- UND HINTERACHSE



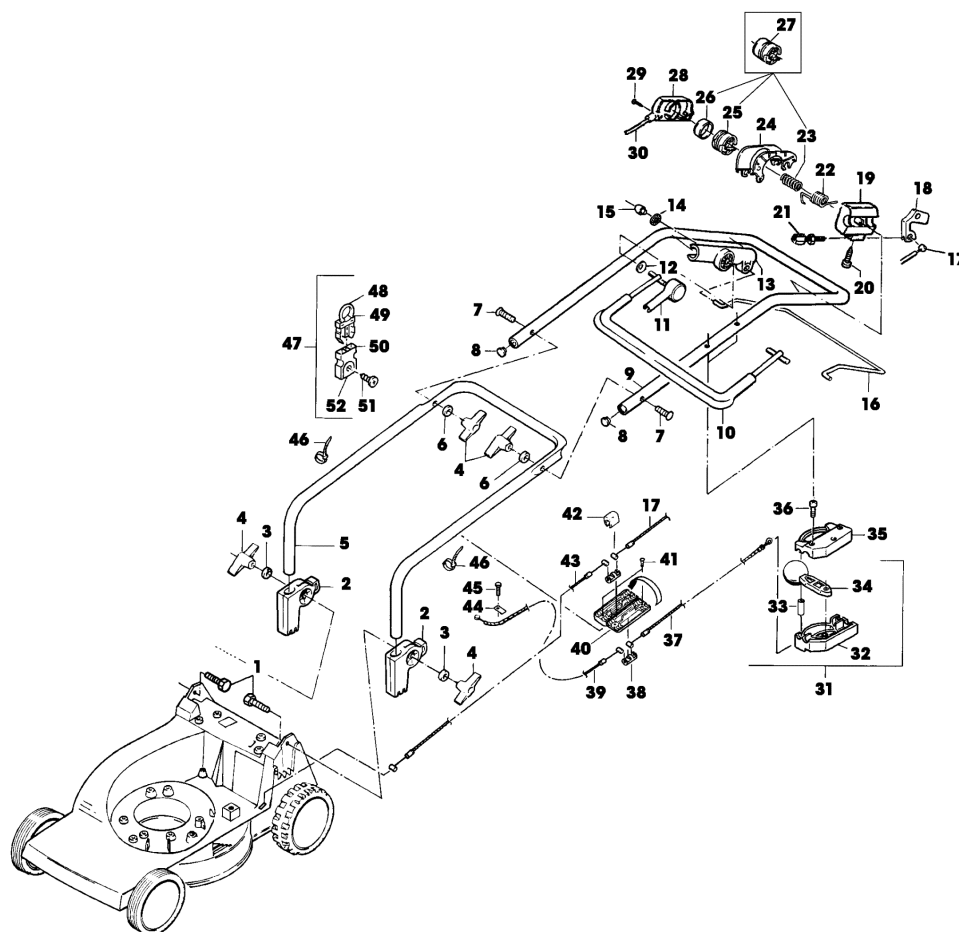
## 47-EL A TURBOSTAR EDV-NR.SA121 - GETRIEBE, VORDER- UND HINTERACHSE



| TEIL | STCK.NR  | BEZEICHNUNG            | STCK. | SER-NR.- | -SER-NR. | BEMERKUNG                  |
|------|----------|------------------------|-------|----------|----------|----------------------------|
| 1    | SA31182  | HALTER                 | 1     |          |          | RH                         |
| 2    | SA33213  | GRIFF                  | 1     |          |          |                            |
| 3    | SA31180  | HALTER                 | 1     |          |          | LH                         |
| 4    | SA31264  | SCHRAUBE               | 6     |          |          | M5X16                      |
| 5    | SA33212  | ANSCHLAG               | 1     |          |          |                            |
| 6    | SA31208  | DRUCKKNOPF             | 1     |          |          |                            |
| 7    | SA31234  | DRUCKFEDER             | 1     |          |          |                            |
| 8    | SA31207  | FUEHRUNG               | 1     |          |          |                            |
| 9    | SA31196  | HALTER                 | 1     |          |          |                            |
| 10   | SA29854  | SCHRAUBE               | 5     |          |          | M5X12                      |
| 11   | SA31711  | LAGERSCHALE            | 4     |          |          |                            |
| 12   | SA31205  | STANGE                 | 1     |          |          |                            |
| 13   | SA18796  | FEDERMUTTER            | 1     |          |          |                            |
| 14   | SA31229  | BOLZEN                 | 1     |          |          | 5HX11X20                   |
| 15   | SA31230  | ZUGFEDER               | 1     |          |          |                            |
| 16   | SA31231  | ZUGFEDER               | 1     |          |          |                            |
| 17   | SA31197  | ACHSE                  | 1     |          |          | FRONT                      |
| 18   | SA36261  | KLEMME                 | 4     |          |          | (SUB FOR SA34649)          |
| 19   | SA17006  | BOLZEN                 | 2     |          |          | 6 H11X 13,5                |
| 20   | H120499  | FEDERMUTTER            | 2     |          |          | (SUB FOR SA31710)          |
| 21   | SAA33234 | VERBINDUNGSSTANGE      | 1     |          |          |                            |
| 22   | SA15905  | ANZEIGEGERAET          | 1     |          |          |                            |
| 23   | SA34281  | ACHSE                  | 1     |          |          | REAR                       |
| 24   | SA31201  | BUECHSE                | 3     |          |          |                            |
| 25   | SA34283  | WELLE                  | 1     |          |          |                            |
| 26   | SA34284  | MITNEHMER              | 3     |          |          |                            |
| 27   | SA13912  | SCHEIBE                | 5     |          |          | (A)                        |
| 28   | SA15864  | SPRENGRING             | 3     |          |          | 14X1                       |
| 29   | SA34286  | GETRIEBE               | 1     |          |          |                            |
| 30   | SA34279  | FUEHRUNG               | 1     |          |          |                            |
| 31   | SA32011  | INNENSECHSKANTSCHRAUBE | 2     |          |          | M6X16                      |
| 32   | SA12168  | SCHEIBE                | 2     |          |          |                            |
| 34   | SA34586  | ABDECKUNG              | 2     |          | 003306   |                            |
|      | SA35182  | ABDECKUNG              | 2     | 003307   |          |                            |
| 35   | SA13911  | FEDERSCHEIBE           | 2     |          |          | (A)                        |
| 36   | SA34504  | RITZEL                 | 1     |          |          | LH                         |
|      | SA34503  | RITZEL                 | 1     |          |          | RH                         |
| 37   | SA34282  | FEDERMUTTER            | 2     |          |          | 8                          |
| 38   | SA13912  | SCHEIBE                | 2     |          | 003306   | (A)                        |
|      | SA35424  | SCHEIBE                | 2     | 003307   |          | (SUB FOR SA34979)          |
| 39   | SA34918  | RAD                    | 2     |          | 003306   | (ORD SA35405) REAR, 180 MM |
|      | SA35181  | RAD                    | 2     | 003307   |          | (ORD SA35405) REAR, 180 MM |
| 40   | SA12316  | NADELLAGER             | 4     |          |          | HK 1212                    |
| 41   | SA15213  | UNTERLEGSCHIEBE        | 4     |          |          | (A) A8,4                   |
| 42   | 14M7327  | SICHERUNGSMUTTER       | 4     |          |          | (A) M8 (SUB FOR SA11998)   |
| 43   | SA36555  | DECKEL                 | 4     |          |          | (SUB FOR SA33231)          |

| TEIL | STCK.NR  | BEZEICHNUNG                                    | STCK. | SER-NR.- | -SER-NR. | BEMERKUNG                       |
|------|----------|--|-------|----------|----------|---------------------------------|
| 44   | SA35405  | RAD  | 2     |          |          | ASSY REAR, 180 MM               |
| 45   | SA35229  | SCHEIBE  | 2     |          |          |                                 |
| 46   | SA34392  | RAD KPL. MIT BEREIFUNG                         | 2     |          |          | (ORD SAA35403) FRONT,<br>180 MM |
| 47   | SA33229  | KUGELLAGER                                     | 4     |          |          |                                 |
| 48   | SAA35403 | RAD  | 2     |          |          | ASSY FRONT, 180 MM              |
|      |          | (A) WERDEN NUR NOCH IN<br>PACKMENGEN GELIEFERT |       |          |          |                                 |

# 47-EL A TURBOSTAR EDV-NR.SA121 - FUEHRUNGSHOLM, STARTER, SCHALTUNG



SA000654

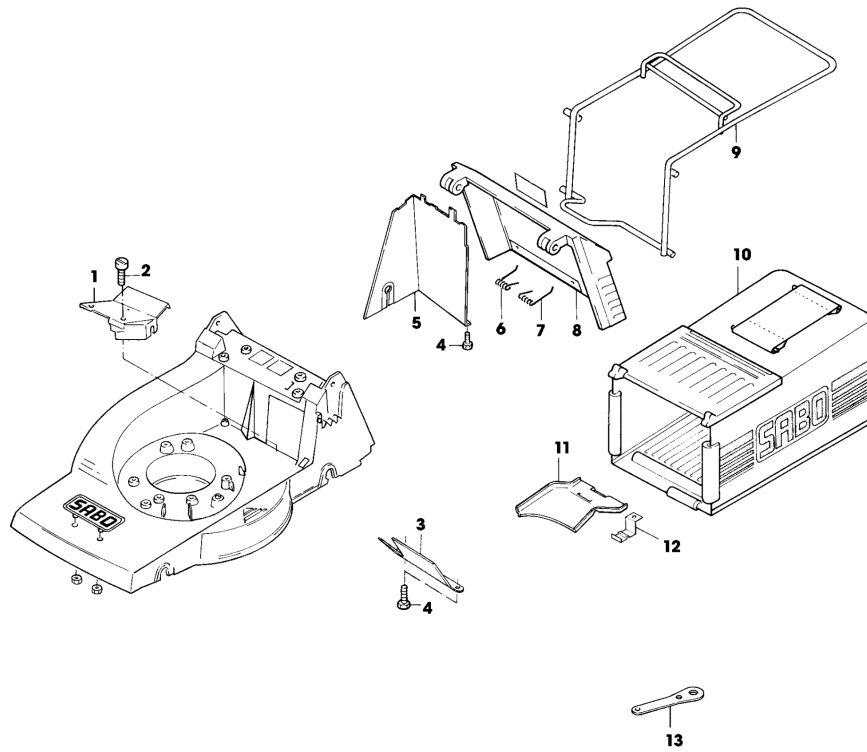
## 47-EL A TURBOSTAR EDV-NR.SA121 - FUEHRUNGSHOLM, STARTER, SCHALTUNG



| TEIL | STCK.NR  | BEZEICHNUNG       | STCK. | SER-NR.- | -SER-NR. | BEMERKUNG                            |
|------|----------|-------------------|-------|----------|----------|--------------------------------------|
| 1    | SA31174  | SECHSKANTSCHRAUBE | 2     |          |          | M6X100                               |
| 2    | SA33256  | HALTER            | 2     |          |          |                                      |
| 3    | SA15212  | UNTERLEGSSCHEIBE  | 2     |          |          | (A) A6,4                             |
| 4    | SA31121  | FLUEGELMUTTER     | 4     |          |          | (A)                                  |
| 5    | SA34405  | FUEHRUNG          | 1     |          |          | LOW                                  |
| 6    | SA11243  | UNTERLEGSSCHEIBE  | 2     |          |          |                                      |
| 7    | SA15632  | SCHRAUBE          | 2     |          | 004306   | M6X45                                |
|      | SA15632  | SCHRAUBE          | 1     | 004307   |          | RH, M6X45                            |
|      | SA35190  | FUEHRUNG          | 1     | 004307   |          | LH, M6                               |
| 8    | SA31709  | STOPFEN           | 2     |          |          |                                      |
| 9    | SA34646  | LENKSTANGE        | 1     |          |          | UP                                   |
| 10   | SA34660  | BUEGEL            | 1     |          |          | (B)                                  |
| 11   | SA33951  | DECKEL            | 1     |          |          | RH                                   |
| 12   | SA34089  | SCHEIBE           | 1     |          |          |                                      |
| 13   | SA34662  | LAGER             | 1     |          |          | RH                                   |
| 14   | SA34247  | RING              | 1     |          |          |                                      |
| 15   | SA34840  | KAPPE             | 1     |          | 002706   | (ORD SA35180)                        |
|      | SA35180  | KAPPE             | 1     | 002707   |          |                                      |
| 16   | SA34668  | BUEGEL            | 1     |          |          | (C)                                  |
| 17   | SA34765  | SEILZUG           | 1     |          |          | (C) UP                               |
| 18   | SA34787  | KABELHALTER       | 1     |          |          |                                      |
| 19   | SA34831  | GEHAEUSE          | 1     |          |          | (INCL KEY SA34921) (SUB FOR SA34537) |
| 20   | SA33975  | SCHRAUBE          | 2     |          |          | KB 40X35                             |
| 21   | SA34098  | STELLSCHRAUBE     | 1     |          |          |                                      |
| 22   | SA34624  | FEDER             | 1     |          |          |                                      |
| 23   | SA34644  | DRUCKFEDER        | 1     |          | 002706   | (ORD SA34888)                        |
| 24   | SA34921  | EINSATZ           | 1     |          |          | NSEP (ORD SA34831)                   |
| 25   | SA33955  | ROLLE             | 1     |          | 002706   | (ORD SA34888)                        |
| 26   | SA34638  | DRUCKKNOPF        | 1     |          | 002706   | (ORD SA34888)                        |
| 27   | SA34888  | DRUCKKNOPF        | 1     | 002707   |          | ASSY                                 |
| 28   | SA34637  | GEHAEUSE          | 1     |          |          |                                      |
| 29   | SA31423  | SCHRAUBE          | 2     |          |          | KB 35X20                             |
| 30   | SA34621  | SEILZUG           | 1     |          |          | (B)                                  |
| 31   | SA34650  | STEUERUNG         | 1     |          |          | ASSY, LOW                            |
| 32   | SAU10079 | GEHAEUSE          | 1     |          |          | LOW (SUB FOR SA33209)                |
| 33   | SA15768  | PASSSTIFT         | 1     |          |          | 6 H8X36                              |
| 34   | SA34001  | HEBEL             | 1     |          |          |                                      |
| 35   | SAU10084 | DECKEL            | 1     |          |          | UP (SUB FOR SA33208)                 |
| 36   | SA16268  | SCHRAUBE          | 3     |          |          | 4,2X32                               |
| 37   | SA34642  | SEILZUG           | 1     |          |          | UP                                   |
| 38   | SA34653  | SCHALTKONSOLE     | 2     |          |          |                                      |
| 39   | SA34643  | SEILZUG           | 1     |          |          | LOW                                  |
| 40   | SA34652  | BRUECKE           | 1     |          |          |                                      |
| 41   | SA16267  | SCHRAUBE          | 2     |          |          | (A) 4,2X13                           |
| 42   | SA34258  | KLEMME            | 2     |          |          |                                      |
| 43   | SA34647  | SEILZUG           | 1     |          |          | (C) LOW                              |
| 44   | SA34589  | LASCHE            | 1     |          |          | (SUB FOR SA34090)                    |

| TEIL | STCK.NR   | BEZEICHNUNG                                       | STCK. | SER-NR.- | -SER-NR. | BEMERKUNG                       |
|------|-----------|---|-------|----------|----------|---------------------------------|
| 45   | SA29854   | SCHRAUBE  | 1     |          |          | M5X12                           |
| 46   | RA1000652 | KABELBINDER                                       | 2     |          |          | (SUB FOR SA12505)               |
| 47   | SA31745   | KABELHALTER                                       | 1     |          |          | ASSY                            |
| 48   |           | RING  | 1     |          |          | NSEP (ORD SA31745)              |
| 49   |           | VERRIEGELUNG                                      | 1     |          |          | NSEP (ORD SA31745)              |
| 50   |           | KABELHALTER                                       | 1     |          |          | NSEP (ORD SA31745)              |
| 51   |           | SCHRAUBE  | 1     |          |          | NSEP (ORD SA31745) KBL<br>50X14 |
| 52   |           | DECKEL  | 1     |          |          | NSEP (ORD SA31745)              |
|      |           | (A) WERDEN NUR<br>NOCH IN PACKMENGEN<br>GELIEFERT |       |          |          |                                 |
|      |           | (B) FUER<br>MOTORBREMSE                           |       |          |          |                                 |
|      |           | (C) FUER<br>FAHRANTRIEB                           |       |          |          |                                 |

## 47-EL A TURBOSTAR EDV-NR.SA121 - FANGTUCH

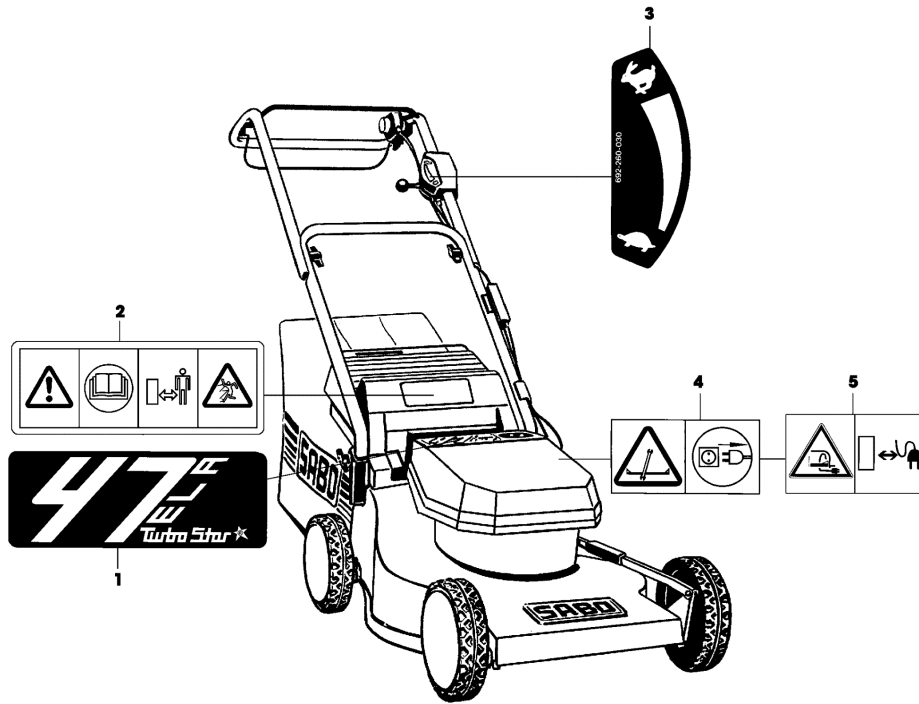


SA000656

**47-EL A TURBOSTAR EDV-NR.SA121 - FANGTUCH**

| TEIL | STCK.NR  | BEZEICHNUNG  | STCK. | SER-NR.- | -SER-NR. | BEMERKUNG |
|------|----------|--|-------|----------|----------|-----------|
| 1    | SA33218  | ABDECKUNG  | 1     |          |          |           |
| 2    | SA17604  | SCHRAUBE   | 2     |          |          | M5X10     |
| 3    | SA33225  | BLECH  | 1     |          |          |           |
| 4    | SA29854  | SCHRAUBE   | 3     |          |          | M5X12     |
| 5    | SA33224  | ABDECKUNG  | 1     |          |          |           |
| 6    | SA31261  | FEDER  | 1     |          |          | RH        |
| 7    | SA11397  | FEDER  | 1     |          |          | LH        |
| 8    | SA34085  | KLAPPE   | 1     |          |          |           |
| 9    | SAA33243 | RAHMEN   | 1     |          |          |           |
| 10   | SA33241  | GRASFANGBEHAELTER                                    | 1     |          |          |           |
| 11   | SA33244  | RUTSCHE  | 1     |          |          |           |
| 12   | SA17715  | FEDERKLEMME  | 1     |          |          | (A)       |
| 13   | SA12045  | SCHLUESSEL   | 1     |          |          |           |
|      | SA500    | GRASFANGBEHAELTER                                    | 1     |          |          | ASSY      |
|      |          | (A) WERDEN NUR<br>NOCH IN<br>PACKMENGEN<br>GELIEFERT |       |          |          |           |

## 47-EL A TURBOSTAR EDV-NR.SA121 - AUFKLEBER



SA000659

**47-EL A TURBOSTAR EDV-NR.SA121 - AUFKLEBER**

| TEIL | STCK.NR | BEZEICHNUNG | STCK. | SER-NR.- | -SER-NR. | BEMERKUNG |
|------|---------|-------------|-------|----------|----------|-----------|
| 1    | SA34628 | AUFKLEBER   | 1     |          |          |           |
| 2    | SA34669 | AUFKLEBER   | 1     |          |          |           |
| 3    | SA33217 | AUFKLEBER   | 1     |          |          |           |
| 4    | SA34768 | AUFKLEBER   | 1     |          |          |           |
| 5    | SA34769 | AUFKLEBER   | 1     |          |          |           |