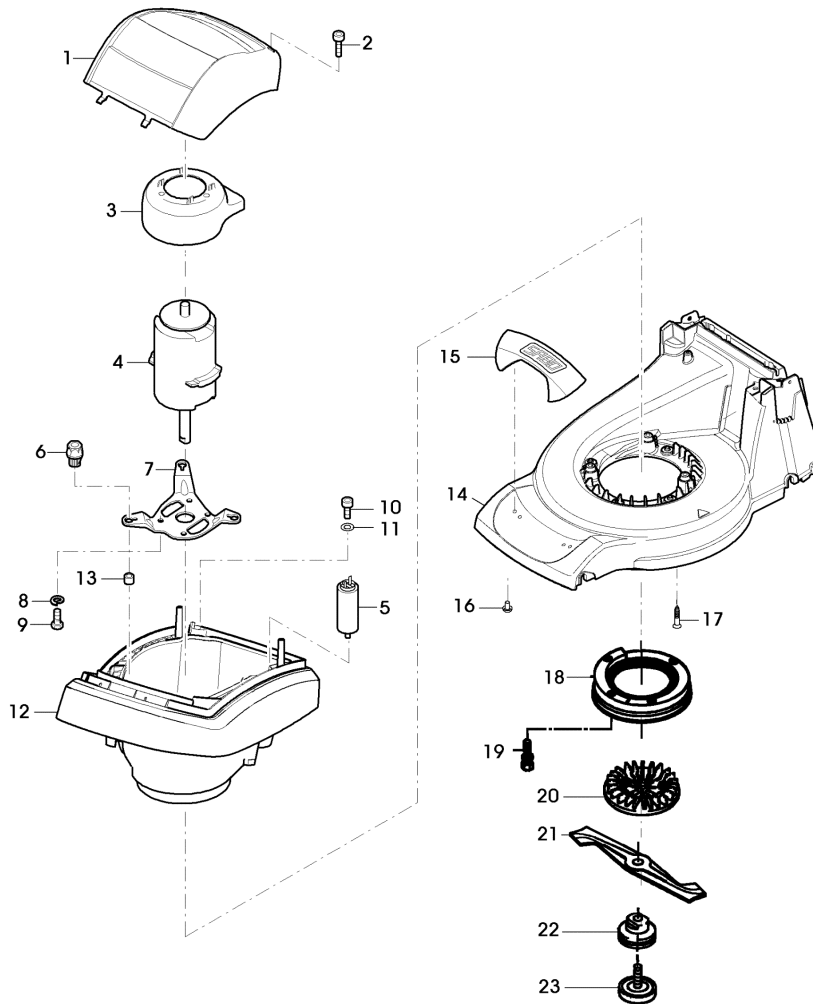


43-EL COMPACT EDV-NR.SA334 - GEHAEUSE, MOTOR, LUEFTER, MESSERBALKEN



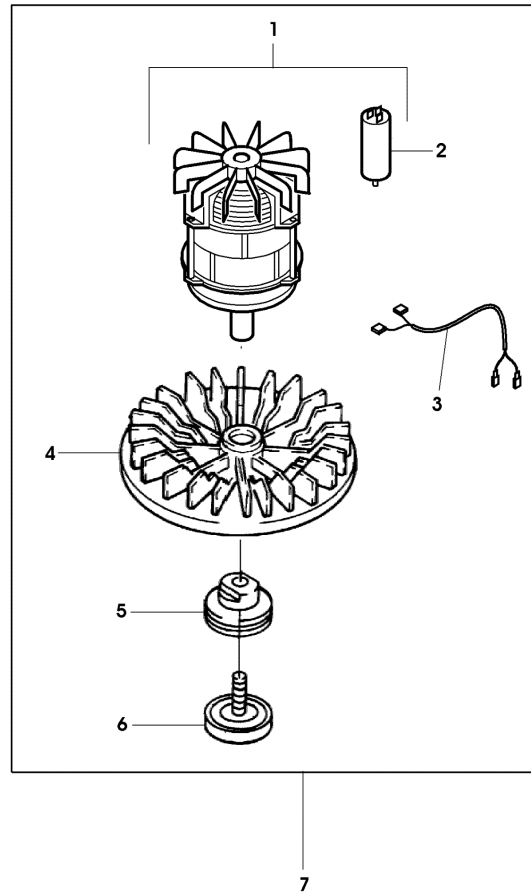
SA002298

43-EL COMPACT EDV-NR.SA334 - GEHAEUSE, MOTOR, LUEFTER, MESSERBALKEN



| TEIL | STCK.NR | BEZEICHNUNG | STCK. | SER-NR.- | -SER-NR. | BEMERKUNG |
|------|----------|---|-------|----------|----------|--------------------------------------|
| 1 | SA37306 | HAUBE | 1 | | | |
| 2 | SA15882 | SCHRAUBE | 2 | | | KB 50X20 |
| 3 | SA37060 | LUFTFUEHRUNG | 1 | | | |
| 4 | SA37389 | ELEKTROMOTOR | 1 | | | 1500 W, NSEP (ORD SAA10130) |
| 5 | SA30966 | KONDENSATOR | 1 | | | 20 MY/F |
| 6 | SA16162 | ISOLATOR | 3 | | | |
| 7 | SA37058 | HALTER | 1 | | | |
| 8 | SA15233 | FEDERRING | 4 | | | A8 |
| 9 | SA15360 | SECHSKANTSCHRAUBE | 4 | | | M8X12 |
| 10 | SA31377 | SCHRAUBE | 1 | | | KBL 50X14 |
| 11 | SA15212 | UNTERLEGSCHIEBE | 1 | | | (A) A6,4 |
| 12 | SA37305 | GEHAEUSE | 1 | | | |
| 13 | SA37327 | DISTANZSTUECK | 3 | | | |
| 14 | SAA37328 | MAEHGEHAEUSE | 1 | | | |
| 15 | SAA36405 | GRIFF | 1 | | | (INCL KEY SA36391) |
| 16 | SA37392 | SCHRAUBE | 2 | | | 6X30 |
| 17 | SA15883 | SCHRAUBE | 3 | | | K 70X45 |
| 18 | SA36688 | LUEFTERHAUBE | 1 | | | |
| 19 | SA34452 | SCHRAUBE | 4 | | | CM 6,0X14 |
| 20 | SAA10122 | LUEFTER | 1 | | | ASSY (INCL KEYS SA37318, SA37472) |
| 21 | SAA34454 | MESSER | 1 | | | |
| 22 | SA37318 | FLANSCH | 1 | | | |
| 23 | SA37472 | SCHRAUBE | 1 | | | |
| | | (A) WERDEN NUR NOCH IN PACKMENGEN GELIEFERT | | | | |

43-EL COMPACT EDV-NR.SA334 - UMRUESTSATZ, ELEKTROMOTOR

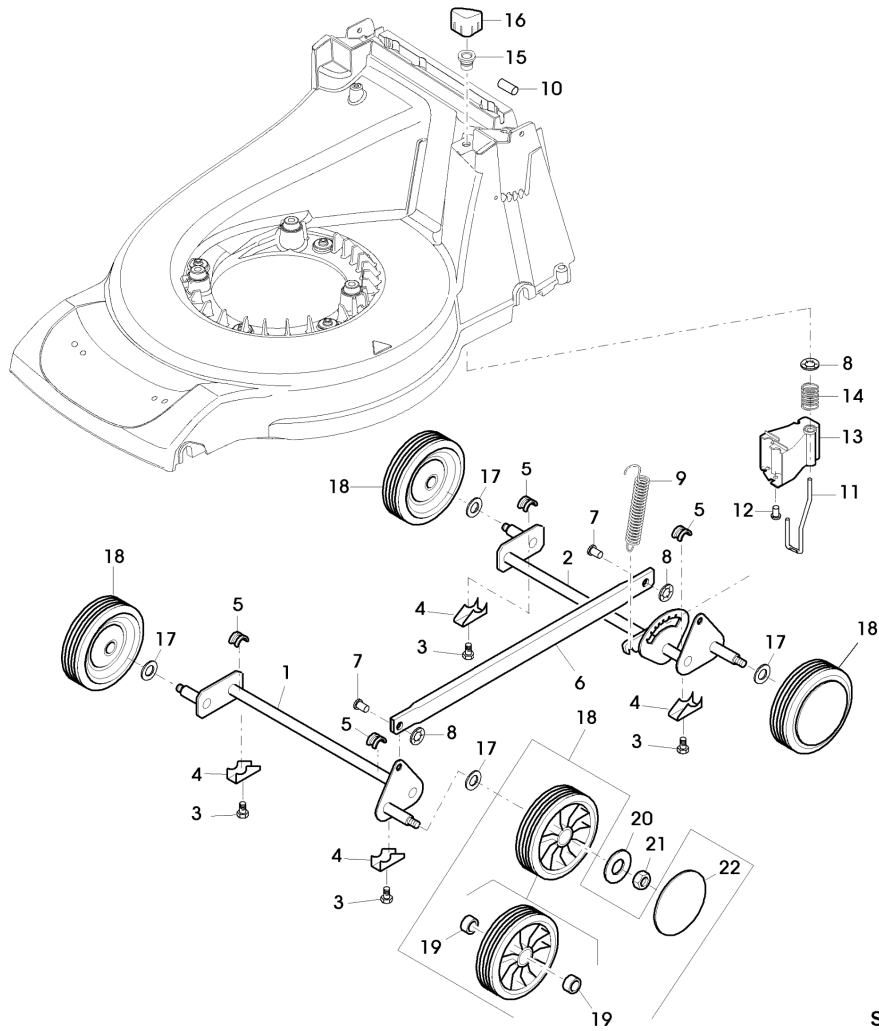


SA003837

**43-EL COMPACT EDV-NR.SA334 - UMRUESTSATZ,
ELEKTROMOTOR**

| TEIL | STCK.NR | BEZEICHNUNG | STCK. | SER-NR.- | -SER-NR. | BEMERKUNG |
|------|----------|---------------------------|-------|----------|----------|--------------------------------|
| 1 | | ELEKTROMOTOR | 1 | | | 1500 W, NSEP (ORD SAA10130) |
| 2 | SAU10201 | KONDENSATOR | 1 | | | 20UF |
| 3 | SAU10328 | ADAPTERANSCHLUESSE | 1 | | | |
| 4 | SAA10124 | LUEFTER | 1 | | | ASSY, INCL KEYS 5, 6 |
| 5 | SA37318 | FLANSCH | 1 | | | |
| 6 | SA37472 | SCHRAUBE | 1 | | | |
| 7 | SAA10130 | ELEKTRO- REPARATURSATZ | 1 | | | ASSY |

43-EL COMPACT EDV-NR.SA334 - VORDER- UND HINTERACHSE, HOEHENVERSTELLUNG, RAEDER

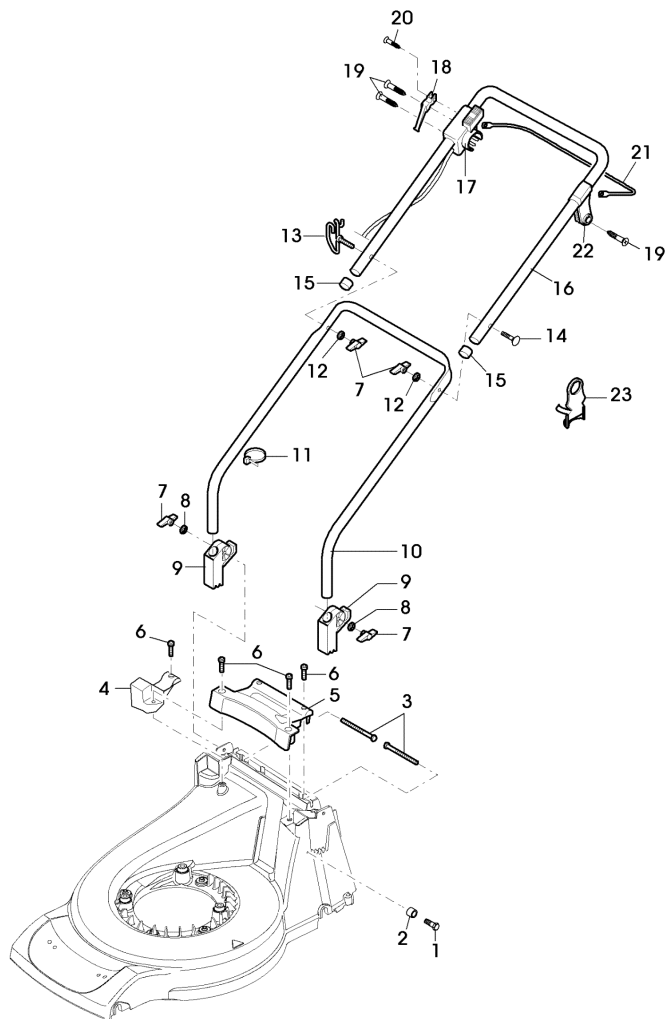


43-EL COMPACT EDV-NR.SA334 - VORDER- UND HINTERACHSE, HOEHENVERSTELLUNG, RAEDER



| TEIL | STCK.NR | BEZEICHNUNG | STCK. | SER-NR.- | -SER-NR. | BEMERKUNG |
|---|----------|---------------------------|-------|----------|----------|-----------------------|
| 1 | SA37335 | TRANSACHSE | 1 | | | FRONT |
| 2 | SA37336 | HINTERACHSE | 1 | | | REAR |
| 3 | SA29854 | SCHRAUBE | 4 | | | M5X12 |
| 4 | SA36388 | KLEMME | 4 | | | |
| 5 | SA37332 | LAGERSCHALE | 4 | | | |
| 6 | SAA37379 | VERBINDUNGSSTANGE | 1 | | | |
| 7 | SA17006 | BOLZEN | 2 | | | 6H11X13,5 |
| 8 | SA12973 | FEDERMUTTER | 3 | | | (A) D6 |
| 9 | SA37339 | ZUGFEDER | 1 | | | |
| 10 | SA37447 | LAGERNADEL | 1 | | | 6H8X14 |
| 11 | SA37365 | VERRIEGELUNG | 1 | | | |
| 12 | SA34452 | SCHRAUBE | 2 | | | CM6,0X14 |
| 13 | SA37311 | FUEHRUNG | 1 | | | |
| 14 | SA37312 | DRUCKFEDER | 1 | | | |
| 15 | SA37456 | BUECHSE | 1 | | | |
| 16 | SA37281 | DRUCKKNOPF | 1 | | | |
| 17 | SA35229 | SCHEIBE | 4 | | | |
| 18 | SAA37313 | RAD KPL. MIT BEREIFUNG | 4 | | | 180MM |
| 19 | SA33229 | KUGELLAGER | 8 | | | |
| 20 | SA15213 | UNTERLEGSCHIEBE | 4 | | | (A) A8,4 |
| 21 | 14M7327 | SICHERUNGSMUTTER | 4 | | | (A) (SUB FOR SA11998) |
| 22 | SA37314 | DECKEL | 4 | | | 180MM |
| (A) WERDEN NUR NOCH IN PACKMENGEN GELIEFERT | | | | | | |

43-EL COMPACT EDV-NR.SA334 - FUEHRUNGSHOLM, STARTER, SCHALTUNG



SA002299

43-EL COMPACT EDV-NR.SA334 - FUEHRUNGSHOLM, STARTER, SCHALTUNG



| TEIL | STCK.NR | BEZEICHNUNG | STCK. | SER-NR.- | -SER-NR. | BEMERKUNG |
|------|----------|---|-------|----------|----------|------------|
| 1 | SA31264 | SCHRAUBE | 1 | | | M5X16 |
| 2 | SA33212 | ANSCHLAG | 1 | | | |
| 3 | SA31174 | SECHSKANTSCHRAUBE | 2 | | | M6X100 |
| 4 | SA37334 | BUECHSE | 1 | | | |
| 5 | SA37282 | GRIFF | 1 | | | |
| 6 | SA36124 | SCHRAUBE | 5 | | | CM6,0X30 |
| 7 | SA31121 | FLUEGELMUTTER | 4 | | | (A) |
| 8 | SA15212 | UNTERLEGSCHIEBE | 2 | | | (A) A6,4 |
| 9 | SA33256 | HALTER | 2 | | | |
| 10 | SAA37345 | FUEHRUNG | 1 | | | LOW |
| 11 | SA12505 | KABELBINDER | 1 | | | 115MM |
| 12 | SA11243 | UNTERLEGSCHIEBE | 2 | | | |
| 13 | SA35190 | FUEHRUNG | 1 | | | M6 |
| 14 | SA15632 | SCHRAUBE | 1 | | | M6X45 |
| 15 | SA15893 | KAPPE | 2 | | | (A) |
| 16 | SA35311 | LENKSTANGE | 1 | | | UP |
| 17 | SA37468 | KABELBAUM, ELEKTROMOTOR- | 1 | | | |
| 18 | SA35202 | HALTER | 1 | | | |
| 19 | SA16267 | SCHRAUBE | 4 | | | (A) 4,2X13 |
| 20 | SA17249 | SCHRAUBE | 1 | | | B 4,8X13 |
| 21 | SAA35310 | BUEGEL | 1 | | | |
| 22 | SA34522 | LAGER | 1 | | | |
| 23 | SA35998 | KABELHALTER | 1 | | | |
| | | (A) WERDEN NUR NOCH IN PACKMENGEN GELIEFERT | | | | |
| | | (B) AUSFUEHRUNG SCHWEIZ | | | | |

43-EL COMPACT EDV-NR.SA334 - FANGTUCH

| TEIL | STCK.NR | BEZEICHNUNG | STCK. | SER-NR.- | -SER-NR. | BEMERKUNG |
|------|----------|--|-------|----------|----------|--|
| 1 | SAA10004 | GRASFANGBEHAELTER | 1 | | | (SUB FOR SA37351) |
| 2 | SAA37350 | HALTER | 1 | | | |
| 3 | SA37353 | LUFTFUEHRUNG | 1 | | | |
| 4 | SA17715 | FEDERKLEMME | 1 | | | (A) |
| 5 | | NIET | 1 | | | 3,9X5,7 (SUB SA15641,SA15200,SA15410) |
| 6 | SA37340 | KLAPPE | 1 | | | |
| 7 | SA31261 | FEDER | 1 | | | LH |
| 8 | SA11397 | FEDER | 1 | | | RH |
| 9 | SA36640 | BUECHSE | 2 | | | |
| 10 | SA37331 | PLATTE | 1 | | | |
| 11 | SA35503 | SCHRAUBE | 1 | | | CM 60X20 |
| 12 | SA37333 | STUETZE | 1 | | | |
| 13 | SA34452 | SCHRAUBE | 2 | | | CM 6,0X14 |
| | SA570 | GRASFANGBEHAELTER | 1 | | | ASSY |
| | | (A) WERDEN NUR NOCH IN PACKMENGEN GELIEFERT | | | | |

43-EL COMPACT EDV-NR.SA334 - AUFKLEBER



SA003265

43-EL COMPACT EDV-NR.SA334 - AUFKLEBER

| TEIL | STCK.NR | BEZEICHNUNG | STCK. | SER-NR.- | -SER-NR. | BEMERKUNG |
|------|---------|----------------------------|-------|----------|----------|-------------------|
| 1 | SA37385 | AUFKLEBER | 1 | | 001340 | |
| 2 | SA37529 | AUFKLEBER | 1 | | | (SUB FOR SA37390) |
| 3 | SA37381 | AUFKLEBER | 1 | | | |
| 4 | SA36391 | AUFKLEBER | 1 | | | |
| 5 | SA37531 | AUFKLEBER | 1 | 001341 | | |
| | | (A) AUSFUEHRUNG SCHWEIZ | | | | |