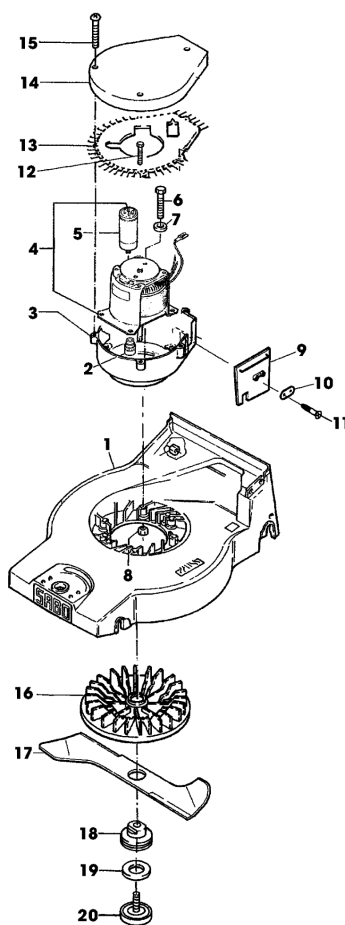


# 43-ESH ECONOMY TURBOSTAR EDV-NR.SA496 - GEHAEUSE, MOTOR, MESSERBALKEN



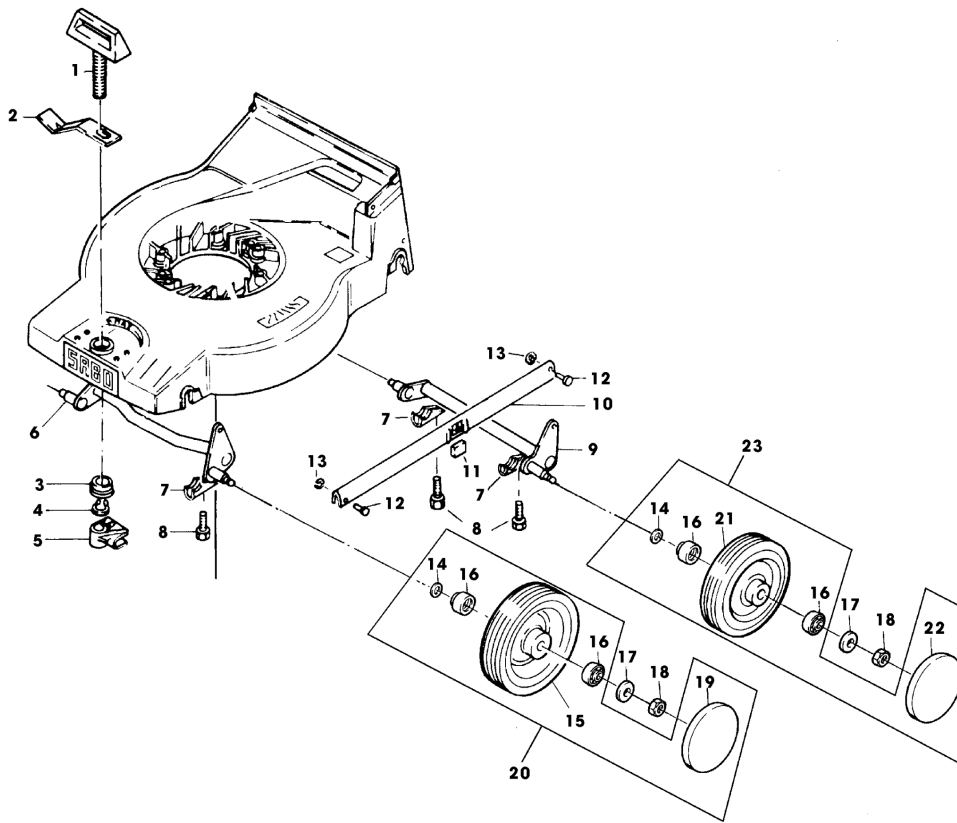
SA000615

## 43-ESH ECONOMY TURBOSTAR EDV-NR.SA496 - GEHAEUSE, MOTOR, MESSERBALKEN



| TEIL | STCK.NR  | BEZEICHNUNG                | STCK. | SER-NR.- | -SER-NR. | BEMERKUNG                           |
|------|----------|----------------------------|-------|----------|----------|-------------------------------------|
| 1    | SAA33428 | MAEHGEHAEUSE               | 1     |          |          |                                     |
| 2    | SA11239  | DISTANZSTUECK              | 4     |          |          |                                     |
| 3    | SA16500  | HALTER                     | 1     |          |          |                                     |
| 4    | SA36746  | ELEKTROMOTOR               | 1     |          |          | 1300W                               |
| 5    | SA30966  | KONDENSATOR                | 1     |          |          | 20 MY/F                             |
| 6    | SA11188  | SECHSKANTSCHRAUBE          | 4     |          |          | M6X50                               |
| 7    | SA16504  | SCHEIBE                    | 4     |          |          |                                     |
| 8    | SA11244  | SICHERUNGSMUTTER           | 4     |          |          | M6                                  |
| 9    | SA36995  | PLATTE                     | 1     |          |          |                                     |
| 10   | SA34518  | ANSCHLAG                   | 1     |          |          |                                     |
| 11   | SA16267  | SCHRAUBE                   | 2     |          |          | 4,2X13                              |
| 12   | SA16267  | SCHRAUBE                   | 3     |          |          | 4,2X13                              |
| 13   | SA34275  | LUFTFUEHRUNG               | 1     |          |          |                                     |
| 14   | SA16507  | HAUBE                      | 1     |          |          |                                     |
| 15   | SA16268  | SCHRAUBE                   | 3     |          |          | 4,2X32                              |
| 16   | SA37316  | LUEFTER                    | 1     |          | 000209   | (A) NSEP (ORD SAA10123)             |
|      | SAA10123 | LUEFTER                    | 1     | 000210   |          | (A) (INCL KEYS SA37318,<br>SA37472) |
| 17   | SAA15166 | MESSER                     | 1     |          |          |                                     |
| 18   | SA34097  | FLANSCH                    | 1     |          | 000209   | (A)                                 |
|      | SA37318  | FLANSCH                    | 1     | 000210   |          | (A)                                 |
| 19   | SA34273  | SCHEIBE                    | 1     |          | 000209   | (A)                                 |
| 20   | SA16549  | SCHRAUBE                   | 1     |          | 000209   | (ORD SA37472)                       |
|      | SA37472  | SCHRAUBE                   | 1     | 000210   |          | (A)                                 |
|      |          | (A) AUSFUEHRUNG<br>SCHWEIZ |       |          |          |                                     |

# 43-ESH ECONOMY TURBOSTAR EDV-NR.SA496 - VORDER- UND HINTERACHSE



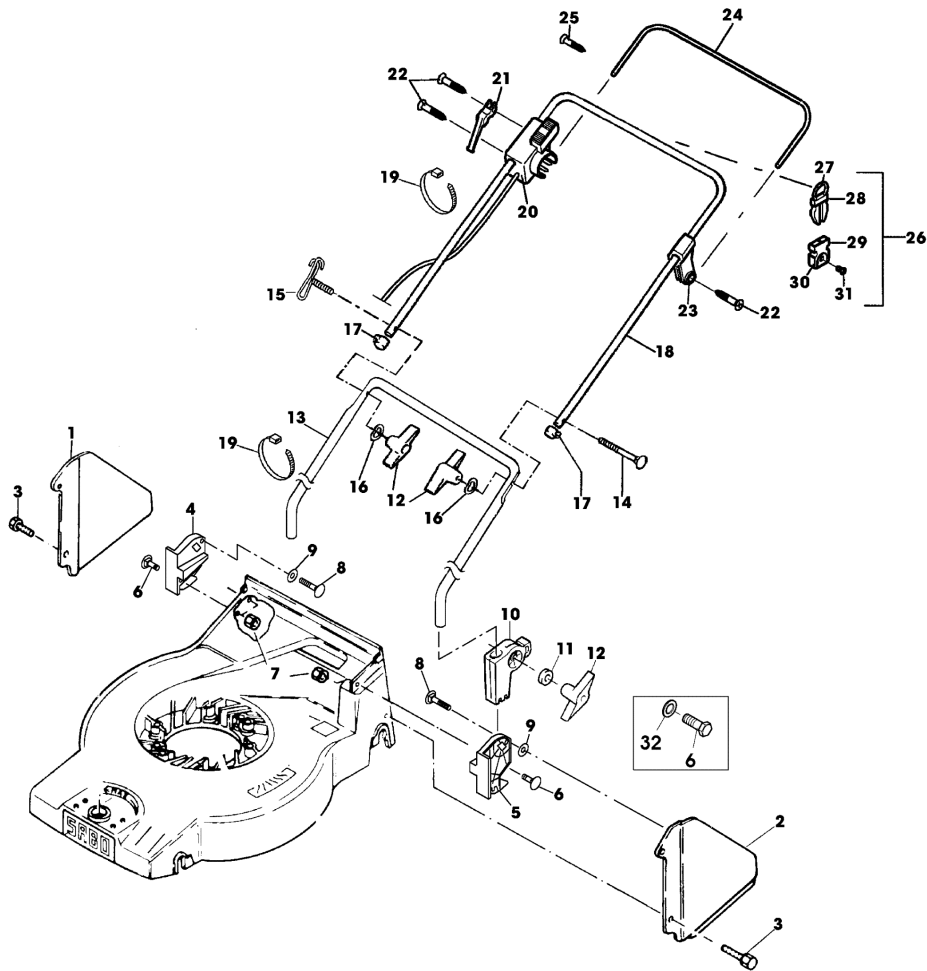
SA000525

## 43-ESH ECONOMY TURBOSTAR EDV-NR.SA496 - VORDER- UND HINTERACHSE



| TEIL | STCK.NR  | BEZEICHNUNG  | STCK. | SER-NR.- | -SER-NR. | BEMERKUNG                |
|------|----------|--|-------|----------|----------|--------------------------|
| 1    | SA15168  | GRIFF  | 1     |          |          |                          |
| 2    | SA15169  | FEDER  | 1     |          |          |                          |
| 3    | SAA11251 | KUGELLAGER   | 1     |          |          |                          |
| 4    | SA15691  | SPRENGRING   | 1     |          |          | 9                        |
| 5    | SA15170  | SCHALTKONSOLE  | 1     |          |          |                          |
| 6    | SA15171  | ACHSE  | 1     |          |          | FRONT                    |
| 7    | SA36388  | KLEMME   | 4     |          |          |                          |
| 8    | SA29854  | SCHRAUBE   | 4     |          |          | M5X12                    |
| 9    | SA15172  | ACHSE  | 1     |          |          | REAR                     |
| 10   | SA15173  | VERBINDUNGSSTANGE  | 1     |          |          |                          |
| 11   | SA15191  | ANSCHLAG   | 1     |          |          |                          |
| 12   | SA17006  | BOLZEN   | 2     |          |          | 6 H11X 13,5              |
| 13   | H120499  | FEDERMUTTER  | 2     |          |          | (A) (SUB FOR SA31710)    |
| 14   | SA35229  | SCHEIBE  | 4     |          |          |                          |
| 15   | SA34075  | RAD KPL. MIT<br>BEREIFUNG  | 2     |          |          | (B) FRONT, 150 MM        |
| 16   | SA33229  | KUGELLAGER   | 8     |          |          |                          |
| 17   | SA15213  | UNTERLEGSCHIEBE  | 4     |          |          | (A) A8,4                 |
| 18   | 14M7327  | SICHERUNGSMUTTER   | 4     |          |          | (A) M8 (SUB FOR SA11998) |
| 19   | SA36551  | DECKEL   | 2     |          |          | FRONT                    |
| 20   | SA35401  | RAD  | 2     |          |          | ASSY FRONT, 150 MM       |
| 21   | SA34392  | RAD KPL. MIT<br>BEREIFUNG  | 2     |          |          | (C) REAR, 180 MM         |
| 22   | SA36555  | DECKEL   | 2     |          |          | REAR                     |
| 23   | SAA35403 | RAD  | 2     |          |          | ASSY REAR, 180 MM        |
|      |          | (A) WERDEN NUR<br>NOCH IN PACKMENGEN<br>GELIEFERT                  |       |          |          |                          |
|      |          | (B) WENN BESTAND<br>AUFGEBRAUCHT<br>BESTELLE BAUGRUPPE<br>SA35401  |       |          |          |                          |
|      |          | (C) WENN BESTAND<br>AUFGEBRAUCHT<br>BESTELLE BAUGRUPPE<br>SAA35403 |       |          |          |                          |

# 43-ESH ECONOMY TURBOSTAR EDV-NR.SA496 - FUEHRUNGSHOLM, STARTER



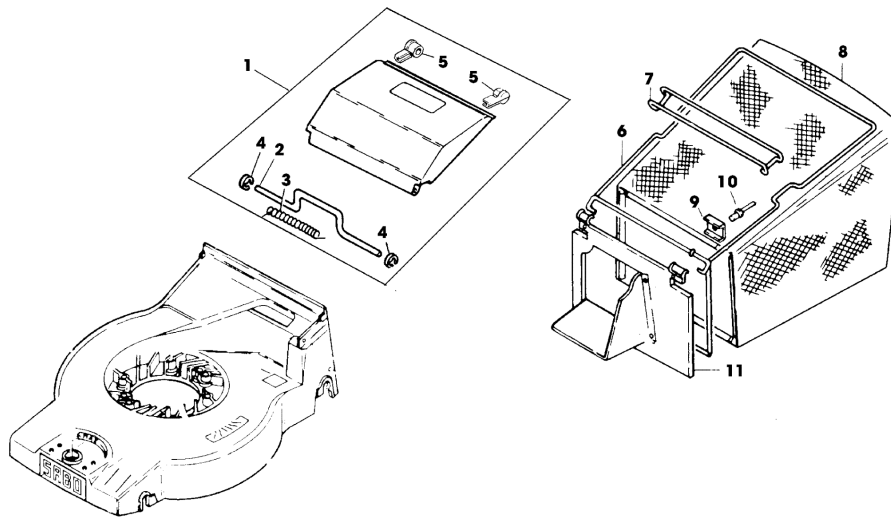
SA002609

### 43-ESH ECONOMY TURBOSTAR EDV-NR.SA496 - FUEHRUNGSHOLM, STARTER



| TEIL | STCK.NR   | BEZEICHNUNG                                       | STCK. | SER-NR.- | -SER-NR. | BEMERKUNG                       |
|------|-----------|---|-------|----------|----------|---------------------------------|
| 1    | SAA16942  | BLECH   | 1     |          |          | RH                              |
| 2    | SAA16941  | BLECH   | 1     |          |          | LH                              |
| 3    | SA17604   | SCHRAUBE  | 2     |          |          | (A) M5X9                        |
| 4    | SA36310   | HALTER  | 1     |          |          | RH                              |
| 5    | SA36311   | HALTER  | 1     |          |          | LH                              |
| 6    | SA36312   | SCHRAUBE  | 4     |          | 000209   | (B) M6X25                       |
|      | SA15324   | SECHSKANTSCHRAUBE                                 | 4     | 000210   |          | (B) M6X25                       |
| 7    | SA15412   | MUTTER  | 4     |          | 000209   | (B) M6                          |
|      | SA37416   | SICHERUNGSMUTTER                                  | 4     | 000210   |          | (B) M6                          |
| 8    | SA18797   | SCHRAUBE  | 2     |          |          | M6X65                           |
| 9    | SA34429   | FEDERSCHEIBE                                      | 2     |          |          |                                 |
| 10   | SA33256   | HALTER  | 2     |          |          |                                 |
| 11   | SA15212   | UNTERLEGSCHIEBE                                   | 2     |          |          | (A) A6,4                        |
| 12   | SA31121   | FLUEGELMUTTER                                     | 4     |          |          |                                 |
| 13   | SAA36309  | FUEHRUNG  | 1     |          |          | LOW                             |
| 14   | SA15632   | SCHRAUBE  | 1     |          |          | M6X45                           |
| 15   | SA35190   | FUEHRUNG  | 1     |          |          |                                 |
| 16   | SA11243   | UNTERLEGSCHIEBE                                   | 2     |          |          |                                 |
| 17   | SA15893   | KAPPE   | 2     |          |          | (A)                             |
| 18   | SA35311   | LENKSTANGE  | 1     |          |          | UP                              |
| 19   | RA1000652 | KABELBINDER                                       | 2     |          |          | (SUB FOR SA12505)               |
| 20   | SA36099   | KABELBAUM,<br>ELEKTROMOTOR-                       | 1     |          |          | (B)                             |
| 21   | SA35202   | HALTER  | 1     |          |          |                                 |
| 22   | SA16267   | SCHRAUBE  | 4     |          |          | (A) 4,2X13                      |
| 23   | SA34522   | LAGER   | 1     |          |          |                                 |
| 24   | SAA35310  | BUEGEL  | 1     |          |          |                                 |
| 25   | SA17249   | SCHRAUBE  | 1     |          |          | B 4,8X13                        |
| 26   | SA31745   | KABELHALTER                                       | 1     |          |          | ASSY                            |
| 27   |           | RING  | 1     |          |          | NSEP (ORD SA31745)              |
| 28   |           | VERRIEGELUNG                                      | 1     |          |          | NSEP (ORD SA31745)              |
| 29   |           | KABELHALTER                                       | 1     |          |          | NSEP (ORD SA31745)              |
| 30   |           | DECKEL  | 1     |          |          | NSEP (ORD SA31745)              |
| 31   |           | SCHRAUBE  | 1     |          |          | NSEP (ORD SA31745) KBL<br>50X14 |
| 32   | SA15212   | UNTERLEGSCHIEBE                                   | 4     | 000210   |          | (B) A6,4                        |
|      |           | (A) WERDEN NUR<br>NOCH IN PACKMENGEN<br>GELIEFERT |       |          |          |                                 |
|      |           | (B) AUSFUEHRUNG<br>SCHWEIZ                        |       |          |          |                                 |

# 43-ESH ECONOMY TURBOSTAR EDV-NR.SA496 - FANGTUCH

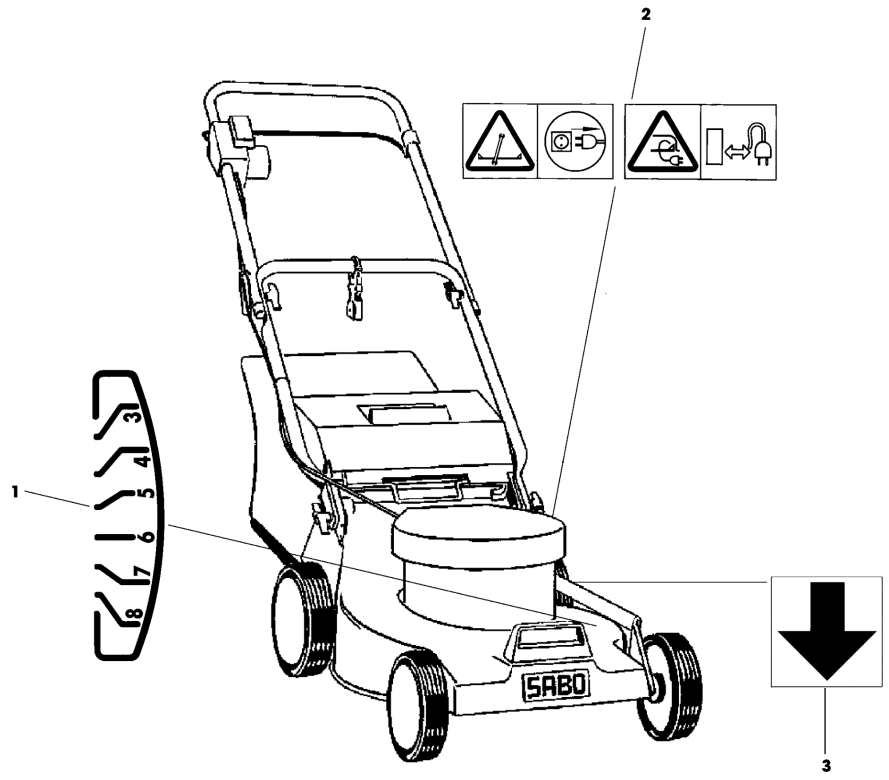


SA000524

**43-ESH ECONOMY TURBOSTAR EDV-NR.SA496 - FANGTUCH**

| TEIL | STCK.NR  | BEZEICHNUNG       | STCK. | SER-NR.- | -SER-NR. | BEMERKUNG                                  |
|------|----------|-------------------|-------|----------|----------|--|
| 1    | SAA34593 | KLAPPE            | 1     |          |          | ASSY                                       |
| 2    |          | BUEGEL            | 1     |          |          | NSEP (ORD SAA34593)                        |
| 3    |          | FEDER             | 1     |          |          | NSEP (ORD SAA34593)                        |
| 4    |          | RING              | 2     |          |          | NSEP (ORD SAA34593)                        |
| 5    |          | DAEMPFER          | 2     |          |          | NSEP (ORD SAA34593)                        |
| 6    | SAA16556 | HALTER            | 1     |          |          |  |
| 7    | SAA16557 | GRIFF             | 1     |          |          |  |
| 8    | SA16558  | GRASFANGBEHAELTER | 1     |          |          |  |
| 9    | SA17715  | FEDERKLEMME       | 2     |          |          |  |
| 10   |          | NIET              | 2     |          |          | 3,9X5,7 (ORD SA15541,<br>SA15200, SA15410) |
| 11   | SA16559  | KLAPPE            | 1     |          |          |  |
|      | SA560    | GRASFANGBEHAELTER | 1     |          |          | ASSY                                       |

# 43-ESH ECONOMY TURBOSTAR EDV-NR.SA496 - AUFKLEBER



SA001160

**43-ESH ECONOMY TURBOSTAR EDV-NR.SA496 - AUFKLEBER**

| TEIL | STCK.NR | BEZEICHNUNG | STCK. | SER-NR.- | -SER-NR. | BEMERKUNG |
|------|---------|-------------|-------|----------|----------|-----------|
| 1    | SA16352 | AUFKLEBER   | 1     |          |          |           |
| 2    | SA35219 | AUFKLEBER   | 1     |          |          |           |
| 3    | SA13820 | AUFKLEBER   | 1     |          |          |           |