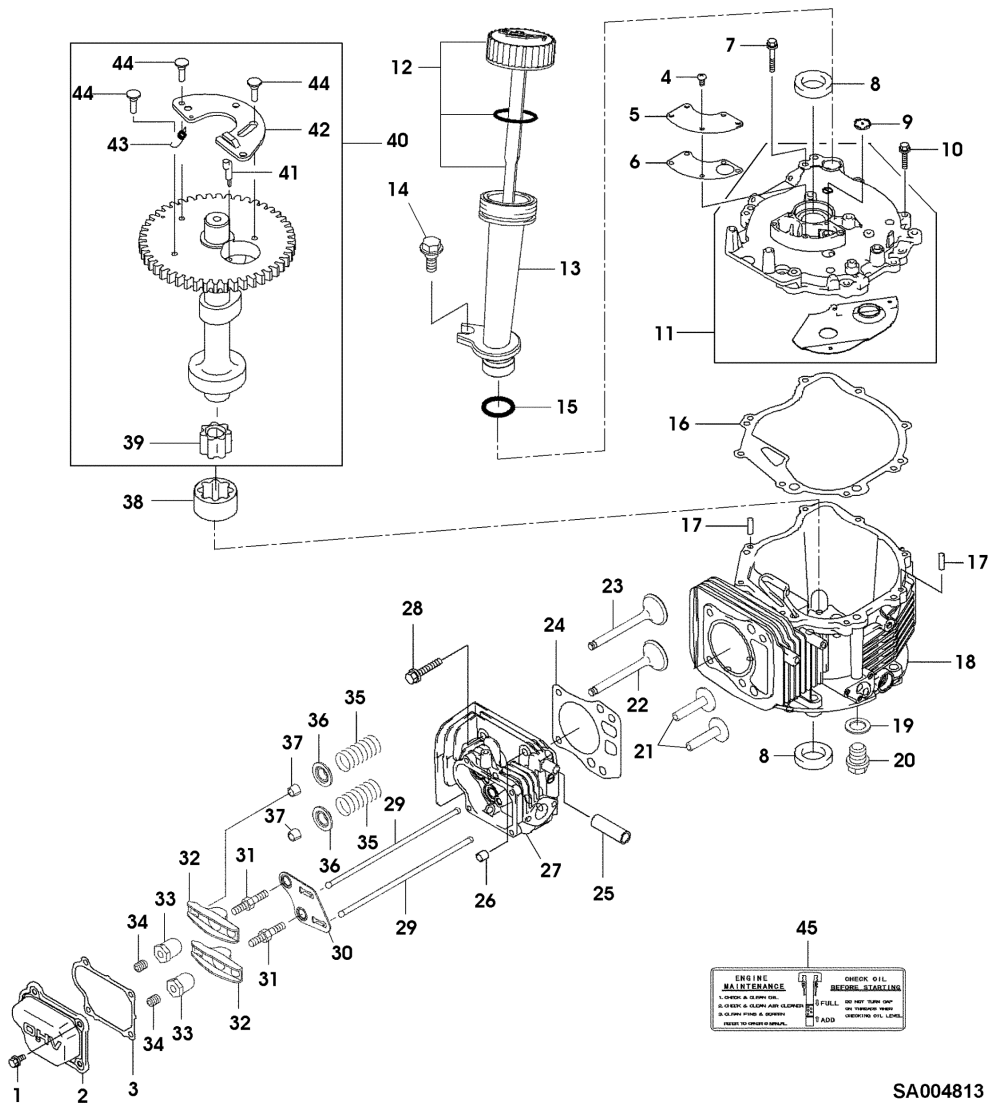


MOTOR KAWASAKI FJ180V PRO EDV-NR.SAA10099 - ZYLINDERKOPF, KURBELGEHAEUSE UND VENTILE



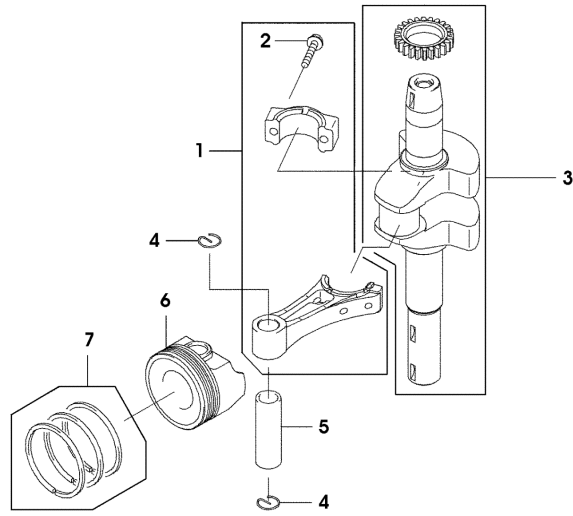
SA004813

MOTOR KAWASAKI FJ180V PRO EDV-NR.SAA10099 - ZYLINDERKOPF, KURBELGEHAEUSE UND VENTILE



| TEIL | STCK.NR | BEZEICHNUNG | STCK. | SER-NR.- | -SER-NR. | BEMERKUNG |
|------|----------|----------------------------|-------|----------|----------|--------------------------------------|
| 1 | 19M7774 | SCHRAUBE | 5 | | | M6 X 12 |
| 2 | M151291 | GEHAEUSE | 1 | | | |
| 3 | M151283 | DICHTUNG | 1 | | | |
| 4 | 21M7278 | SCHRAUBE | 5 | | | M5 X 10 |
| 5 | M151293 | DECKEL | 1 | | | |
| 6 | M151284 | DICHTUNG | 1 | | | |
| 7 | M147355 | SCHRAUBE | 1 | | | |
| 8 | M151285 | RADIALDICHTRING | 1 | | | 28X44X9 |
| 9 | M151294 | MAGNET- HYDRAULIKVENTIL | 1 | | | |
| 10 | 19M7863 | SCHRAUBE | 7 | | | |
| 11 | SAU10110 | DECKEL | 1 | | | |
| 12 | AM134028 | EINFUELLVERSCHLUSS | 1 | | | |
| 13 | M151225 | EINFUELLVERSCHLUSS | 1 | | | |
| 14 | M148369 | SCHRAUBE | 1 | | | |
| 15 | M88478 | O-RING | 1 | | | 16MM |
| 16 | M151282 | DICHTUNG | 1 | | | |
| 17 | PT12316 | PASSSTIFT | 2 | | | |
| 18 | AM134892 | KURBELGEHAEUSE | 1 | | | |
| 19 | M151286 | DICHTUNG | 1 | | | 12X19X1,27 |
| 20 | M151226 | WELLE | 1 | | | 12X12 |
| 21 | M138403 | VENTILSTOESSEL | 2 | | | |
| 22 | MIU10969 | EINLASSVENTIL | 1 | | | |
| 23 | MIU10970 | AUSLASSVENTIL | 1 | | | |
| 24 | M152844 | ZYLINDERKOPFDICHTUNG | 1 | | | |
| 25 | M151296 | BUECHSE | 1 | | | 12X16X49 |
| 26 | M138388 | STIFT | 2 | | | |
| 27 | M152845 | ZYLINDERKOPF | 1 | | | |
| 28 | 19M8317 | SCHRAUBE | 4 | | | M8 X 40 |
| 29 | M151303 | STOESSELSTANGE | 2 | | | |
| 30 | M151302 | FUEHRUNG | 1 | | | |
| 31 | M146881 | SCHRAUBE | 2 | | | |
| 32 | M138402 | KIPPHEBEL | 2 | | | |
| 33 | M92891 | MUTTER | 2 | | | |
| 34 | M138410 | SCHRAUBE | 2 | | | |
| 35 | M138409 | DRUCKFEDER | 2 | | | |
| 36 | M138401 | HALTER | 2 | | | |
| 37 | M118845 | HALTER | 2 | | | |
| 38 | M151223 | ROTOR | 1 | | | |
| 39 | M151224 | ROTOR | 1 | | | |
| 40 | MIA10728 | VENTIL | 1 | | | |
| 41 | M151304 | ARM | 1 | | | |
| 42 | M151299 | GEWICHT | 1 | | | |
| 43 | M151306 | FEDER | 1 | | | |
| 44 | M151305 | STIFT | 3 | | | |
| 45 | M151356 | AUFKLEBER | 1 | | | |
| | SAA10099 | BENZINMOTOR | 1 | | | KAWASAKI FJ180V PRO; MODEL AS60-M |

MOTOR KAWASAKI FJ180V PRO EDV-NR.SAA10099 - KURBELWELLE, KOLBEN UND RINGE

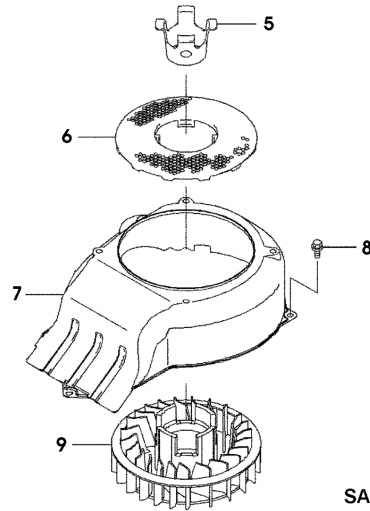
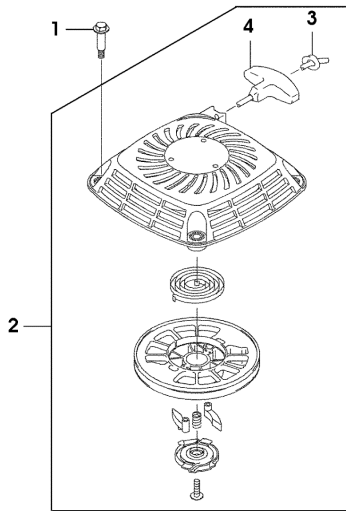


SA003495

**MOTOR KAWASAKI FJ180V PRO EDV-NR.SAA10099 -
KURBELWELLE, KOLBEN UND RINGE**

| TEIL | STCK.NR | BEZEICHNUNG | STCK. | SER-NR.- | -SER-NR. | BEMERKUNG |
|------|----------|--------------|-------|----------|----------|-----------|
| 1 | AM134084 | PLEUELSTANGE | 1 | | | |
| 2 | 19M7796 | SCHRAUBE | 2 | | | M6 X 30 |
| 3 | SAU10093 | KURBELWELLE | 1 | | | |
| 4 | M140233 | SPRENGRING | 2 | | | |
| 5 | M138397 | KOLBENBOLZEN | 1 | | | |
| 6 | M151298 | KOLBEN | 1 | | | |
| 7 | MIA10727 | KOLBENRING | 1 | | | |

MOTOR KAWASAKI FJ180V PRO EDV-NR.SAA10099 - ZUGSEIL-STARTER

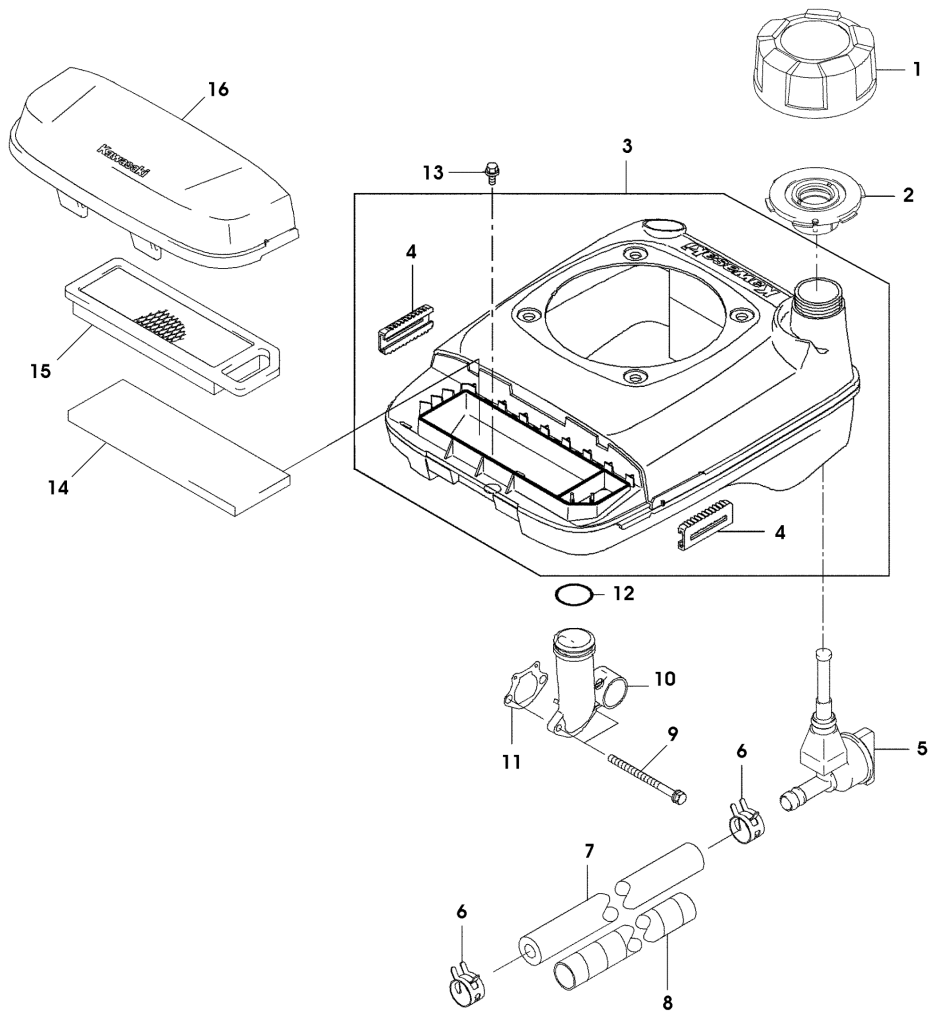


SA003496

**MOTOR KAWASAKI FJ180V PRO EDV-NR.SAA10099 - ZUGSEIL-
STARTER**

| TEIL | STCK.NR | BEZEICHNUNG | STCK. | SER-NR.- | -SER-NR. | BEMERKUNG |
|------|----------|-------------|-------|----------|----------|-----------|
| 1 | M151355 | SCHRAUBE | 4 | | | M6 |
| 2 | SAU10104 | ZUGSTARTER | 1 | | | |
| 3 | TY15930 | SEIL | AR | | | 2200MM |
| 4 | MIU10954 | GRIFF | 1 | | | |
| 5 | M151230 | KONSOLE | 1 | | | |
| 6 | M151232 | SIEB | 1 | | | |
| 7 | 19M7774 | SCHRAUBE | 2 | | | M6 X 12 |
| 8 | M151265 | GEHAEUSE | 1 | | | |
| 9 | M151264 | LUEFTER | 1 | | | |

MOTOR KAWASAKI FJ180V PRO EDV-NR.SAA10099 - LUFTFILTER, DECKEL UND KRAFTSTOFFTANK



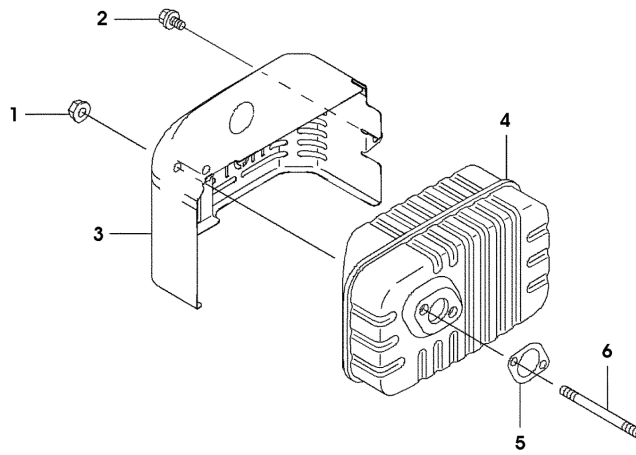
SA003497

MOTOR KAWASAKI FJ180V PRO EDV-NR.SAA10099 - LUFTFILTER, DECKEL UND KRAFTSTOFFTANK



| TEIL | STCK.NR | BEZEICHNUNG | STCK. | SER-NR.- | -SER-NR. | BEMERKUNG |
|------|----------|-------------------------|-------|----------|----------|---------------|
| 1 | MIU11152 | KAPPE | 1 | | | |
| 2 | M151289 | DICHTUNG | 1 | | | |
| 3 | MIA10729 | DECKEL | 1 | | | |
| 4 | M151231 | HALTER | 2 | | | |
| 5 | SAU10101 | KRAFTSTOFFLEITUNG | 1 | | | |
| 6 | SAU10102 | KLEMME | 2 | | | |
| 7 | SAU10103 | SCHLAUCH | 1 | | | 6,35X12,7X305 |
| 8 | SAU10100 | ISOLIERSCHLAUCH | 1 | | | |
| 9 | M78604 | SCHRAUBE MIT SCHEIBE | 2 | | | M6X80 |
| 10 | M151287 | ROHR | 1 | | | |
| 11 | M151346 | DICHTUNG | 1 | | | |
| 12 | M96844 | O-RING | 1 | | | 32MM |
| 13 | 19M7774 | SCHRAUBE | 2 | | | M6 X 12 |
| 14 | MIU10952 | FILTEREINSATZ | 1 | | | FOAM |
| 15 | AM134111 | FILTEREINSATZ | 1 | | | PAPER |
| 16 | M151344 | GEHAEUSE | 1 | | | |

MOTOR KAWASAKI FJ180V PRO EDV-NR.SAA10099 - SCHALLDAEMPFER

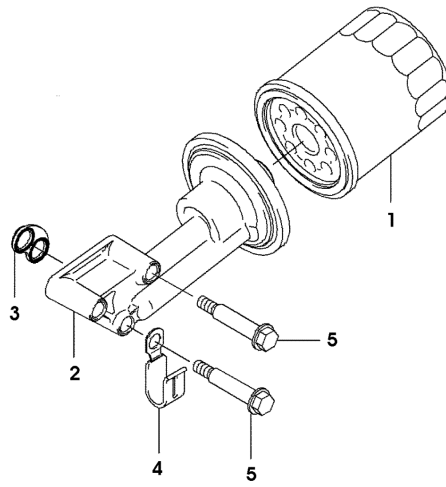


SA003498

**MOTOR KAWASAKI FJ180V PRO EDV-NR.SAA10099 -
SCHALLDAEMPFER**

| TEIL | STCK.NR | BEZEICHNUNG | STCK. | SER-NR.- | -SER-NR. | BEMERKUNG |
|------|----------|----------------|-------|----------|----------|-----------|
| 1 | M70097 | MUTTER | 2 | | | |
| 2 | M151349 | SCHRAUBE | 2 | | | |
| 3 | M151348 | DECKEL | 1 | | | |
| 4 | MIA10732 | SCHALLDAEMPFER | 1 | | | |
| 5 | M151288 | DICHTUNG | 1 | | | |
| 6 | M79452 | STIFTSCHRAUBE | 2 | | | |

MOTOR KAWASAKI FJ180V PRO EDV-NR.SAA10099 - OELFILTER

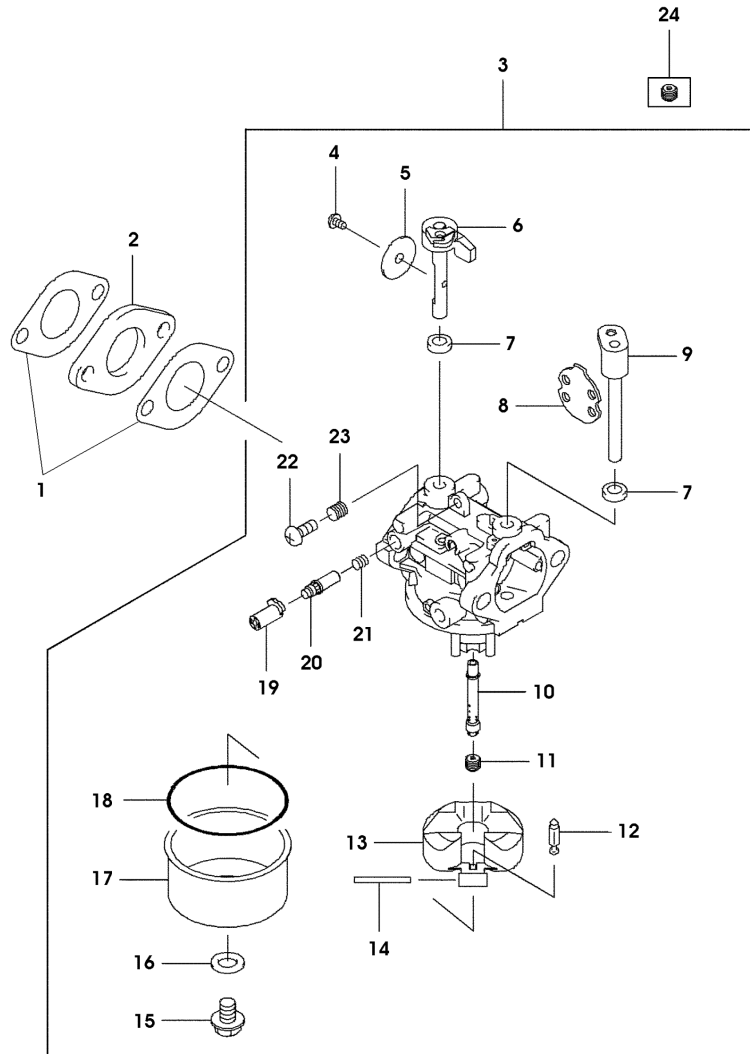


SA003499

**MOTOR KAWASAKI FJ180V PRO EDV-NR.SAA10099 -
OELFILTER**

| TEIL | STCK.NR | BEZEICHNUNG | STCK. | SER-NR.- | -SER-NR. | BEMERKUNG |
|------|----------|-------------|-------|----------|----------|-----------|
| 1 | AM107423 | OELFILTER | 1 | | | |
| 2 | SAU10094 | DECKEL | 1 | | | |
| 3 | M93837 | DICHTUNG | 1 | | | |
| 4 | SAU10096 | KLEMME | 1 | | | |
| 5 | SAU10095 | SCHRAUBE | 2 | | | |

MOTOR KAWASAKI FJ180V PRO EDV-NR.SAA10099 - VERGASER



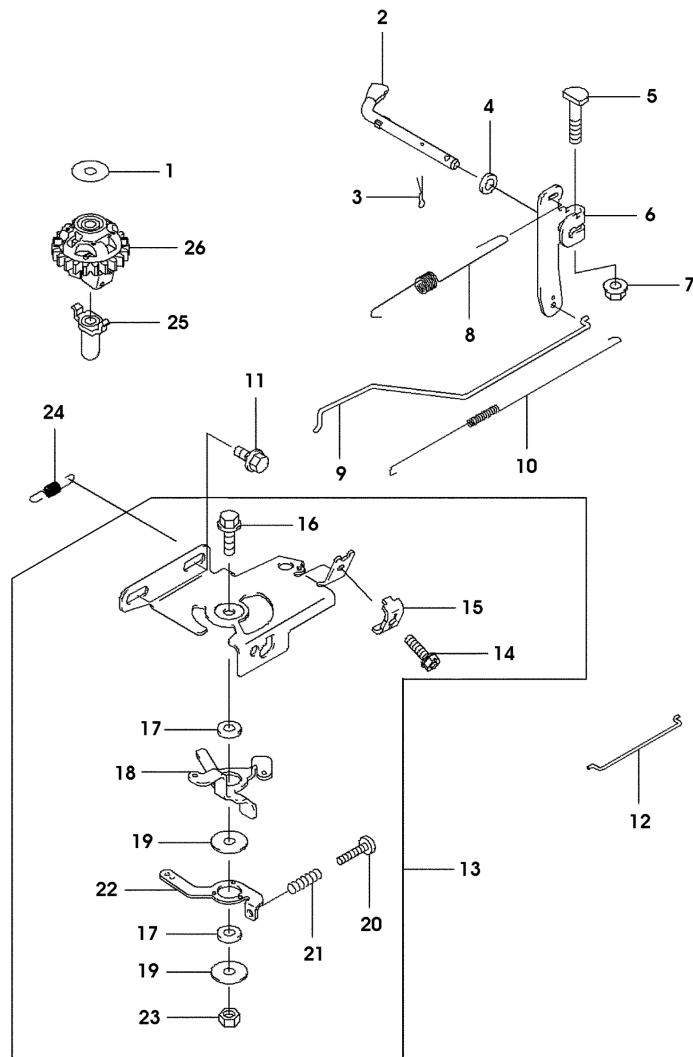
SA003997

MOTOR KAWASAKI FJ180V PRO EDV-NR.SAA10099 - VERGASER



| TEIL | STCK.NR | BEZEICHNUNG | STCK. | SER-NR.- | -SER-NR. | BEMERKUNG |
|------|----------|-------------------------------|-------|----------|----------|--------------------|
| 1 | M151279 | DICHTUNG | 2 | | | A |
| 2 | M151280 | ISOLATOR | 1 | | | A |
| 3 | MIA10731 | VERGASER | 1 | | | |
| 4 | M149323 | SCHRAUBE | 1 | | | |
| 5 | M151337 | VENTIL | 1 | | | |
| 6 | M151338 | WELLE | 1 | | | |
| 7 | M149328 | RADIALDICHTRING | 2 | | | A |
| 8 | AM134110 | MAGNET- HYDRAULIKVENTIL | 1 | | | |
| 9 | M151339 | WELLE | 1 | | | |
| 10 | M151341 | DUESE | 1 | | | |
| 11 | M151342 | VERGASERDUESE | 1 | | | |
| 12 | M151334 | VERGASERDUESE | 1 | | | |
| 13 | AM134109 | SCHWIMMER-SATZ | 1 | | | |
| 14 | M151333 | WELLE | 1 | | | |
| 15 | M151343 | SCHRAUBE | 1 | | | |
| 16 | M149307 | DICHTUNG | 1 | | | A |
| 17 | M151336 | KAMMER | 1 | | | |
| 18 | M151278 | DICHTUNG | 1 | | | A |
| 19 | M149321 | DROSSEL | 1 | | | |
| 20 | M151335 | SCHRAUBE | 1 | | | |
| 21 | M149331 | FEDER | 1 | | | |
| 22 | M149324 | SCHRAUBE | 1 | | | |
| 23 | M149327 | FEDER | 1 | | | |
| 24 | SAU10099 | ELEKTR.PUMPE/DUESE- EINHEI | 1 | | | |
| | AM134080 | DICHTUNGSSATZ | 1 | | | INCL KEYS MARKED A |

MOTOR KAWASAKI FJ180V PRO EDV-NR.SAA10099 - REGLER, VERGASER-STEUERPLATTE UND REGLERGESTAENGE



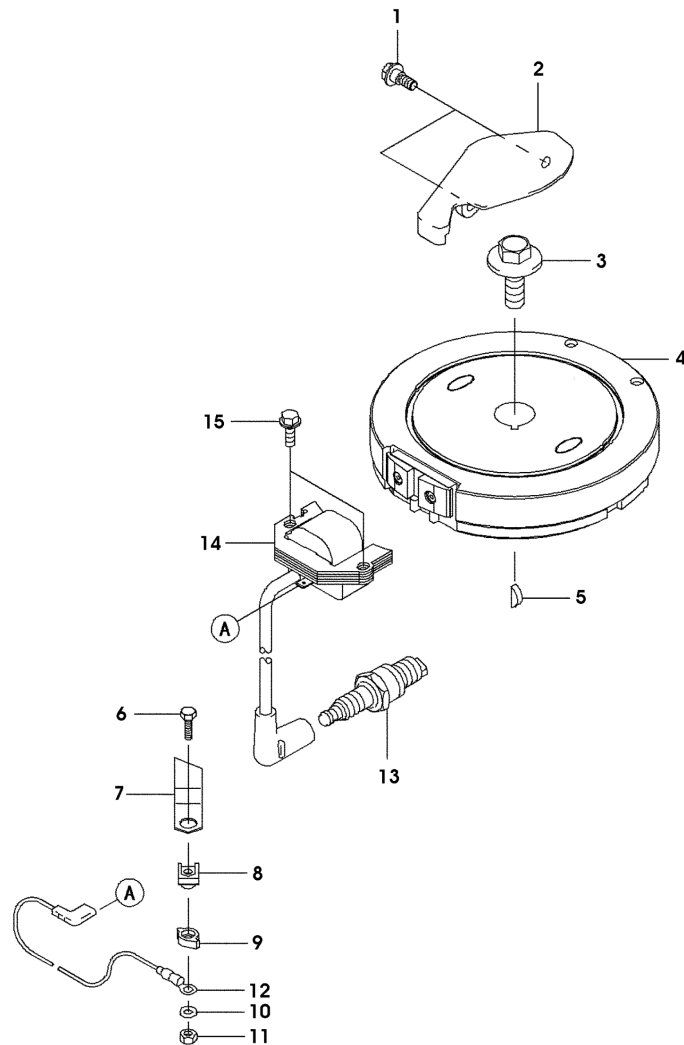
SA003501

MOTOR KAWASAKI FJ180V PRO EDV-NR.SAA10099 - REGLER, VERGASER-STEUERPLATTE UND REGLERGESTAENGE



| TEIL | STCK.NR | BEZEICHNUNG | STCK. | SER-NR.- | -SER-NR. | BEMERKUNG |
|------|----------|-------------------|-------|----------|----------|--------------|
| 1 | M95856 | UNTERLEGSCHIEBE | 1 | | | 6,2X20X0,5 |
| 2 | M151323 | ARM | 1 | | | |
| 3 | M88461 | STIFT | 1 | | | 6MM |
| 4 | M97241 | UNTERLEGSCHIEBE | 1 | | | 6,5X11,5X2,0 |
| 5 | M70085 | SCHRAUBE | 1 | | | 6X28 |
| 6 | M151326 | ARM | 1 | | | |
| 7 | M70097 | MUTTER | 1 | | | |
| 8 | M153204 | FEDER | 1 | | | |
| 9 | M151275 | VERBINDUNGSGLIED | 1 | | | |
| 10 | M151327 | FEDER | 1 | | | |
| 11 | 19M7774 | SCHRAUBE | 2 | | | M6 X 12 |
| 12 | M151274 | VERBINDUNGSGLIED | 1 | | | |
| 13 | AM134078 | INSTRUMENTENTAFEL | 1 | | | |
| 14 | M95855 | SCHRAUBE | 1 | | | 5X18 |
| 15 | M76109 | KLEMME | 1 | | | |
| 16 | 19M7862 | SCHRAUBE | 1 | | | M6 X 20 |
| 17 | M77658 | BUECHSE | 2 | | | 6X13X2,3 |
| 18 | M151272 | HEBEL | 1 | | | |
| 19 | M77660 | UNTERLEGSCHIEBE | 2 | | | 6X19X1,2 |
| 20 | 21M7197 | SCHRAUBE | 1 | | | M4 X 20 |
| 21 | M95854 | FEDER | 1 | | | |
| 22 | M151273 | HEBEL | 1 | | | |
| 23 | M71928 | MUTTER | 1 | | | |
| 24 | M151328 | FEDER | 1 | | | |
| 25 | PT9996 | HUELSE | 1 | | | |
| 26 | AM134079 | DREHZAHLREGLER | 1 | | | |

MOTOR KAWASAKI FJ180V PRO EDV-NR.SAA10099 - SCHWUNGRAD UND ELEKTRISCHE ANLAGE



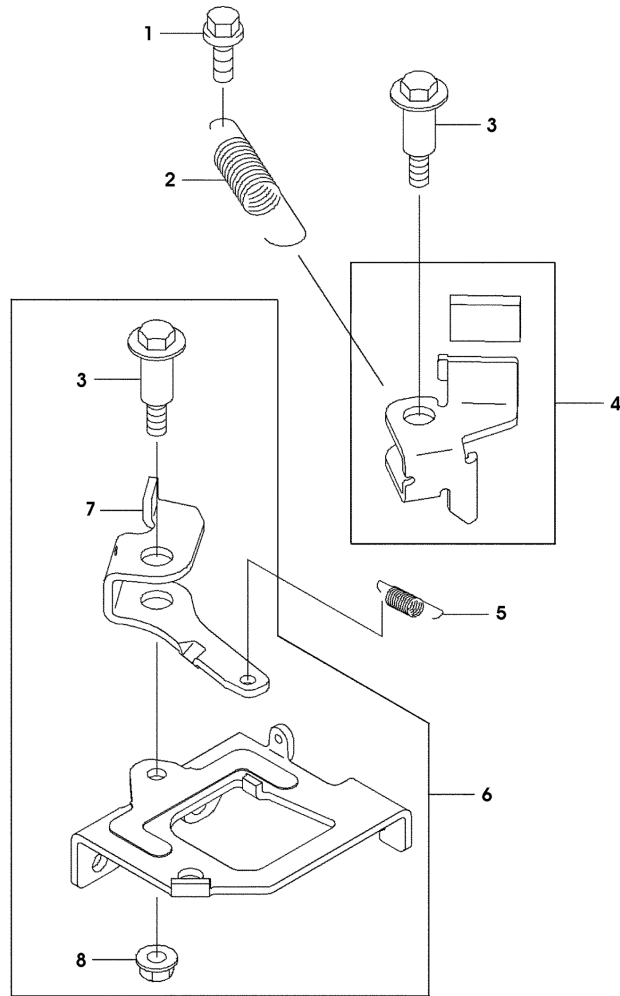
SA003502

MOTOR KAWASAKI FJ180V PRO EDV-NR.SAA10099 - SCHWUNGRAD UND ELEKTRISCHE ANLAGE



| TEIL | STCK.NR | BEZEICHNUNG | STCK. | SER-NR.- | -SER-NR. | BEMERKUNG |
|------|----------|----------------------------|-------|----------|----------|----------------------|
| 1 | M148369 | SCHRAUBE | 1 | | | |
| 2 | M151267 | DECKEL | 1 | | | |
| 3 | M151271 | SCHRAUBE | 1 | | | 12X30 |
| 4 | SAU10097 | SCHWUNGRAD | 1 | | | |
| 5 | M75094 | SCHLUESSEL | 1 | | | |
| 6 | M151270 | SCHRAUBE | 1 | | | 4X16 |
| 7 | M92530 | ELEKTR. STECKVERBINDUNG | 1 | | | |
| 8 | M77627 | ISOLATOR | 1 | | | |
| 9 | M77625 | DECKEL | 1 | | | |
| 10 | 24M7117 | UNTERLEGSCHIEBE | 1 | | | 4.300 X 9 X 0.800 MM |
| 11 | 14M7100 | MUTTER | 1 | | | M4 |
| 12 | M151269 | ELEKTRISCHE LEITUNG | 1 | | | |
| 13 | M802138 | ZUENDKERZE | 1 | | | |
| 14 | SAU10098 | MAGNETSPULE | 1 | | | |
| 15 | 19M7862 | SCHRAUBE | 2 | | | M6 X 20 |

MOTOR KAWASAKI FJ180V PRO EDV-NR.SAA10099 - BREMSE, ABDECKUNG

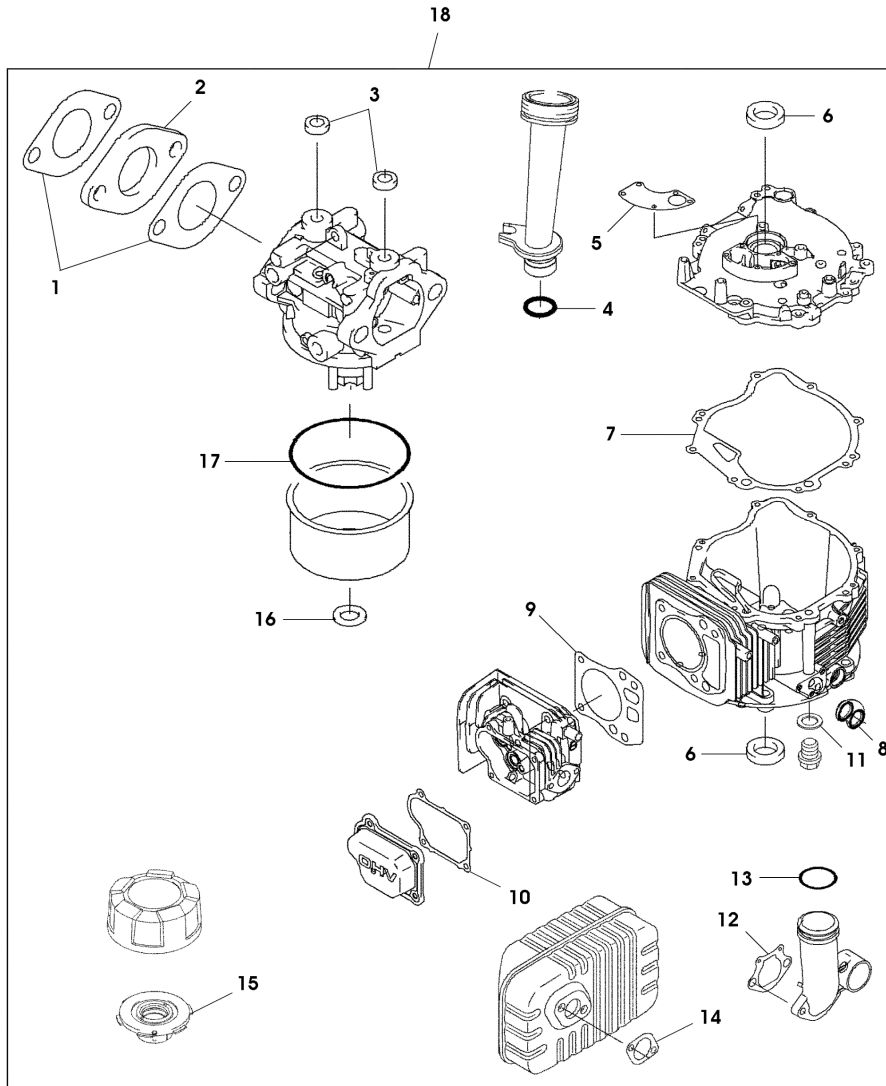


SA003503

**MOTOR KAWASAKI FJ180V PRO EDV-NR.SAA10099 - BREMSE,
ABDECKUNG**

| TEIL | STCK.NR | BEZEICHNUNG | STCK. | SER-NR.- | -SER-NR. | BEMERKUNG |
|------|----------|-------------|-------|----------|----------|-----------|
| 1 | 19M7774 | SCHRAUBE | 1 | | | |
| 2 | SAU10108 | ZUGFEDER | 1 | | | |
| 3 | SAU10109 | BOLZEN | 2 | | | |
| 4 | SAU10105 | HEBEL | 1 | | | |
| 5 | M151328 | FEDER | 1 | | | |
| 6 | SAU10107 | HALTER | 1 | | | |
| 7 | SAU10106 | UMLENKHEBEL | 1 | | | |
| 8 | M70097 | MUTTER | 1 | | | |

MOTOR KAWASAKI FJ180V PRO EDV-NR.SAA10099 - MOTOR-DICHTUNGSSATZ



SA003504

MOTOR KAWASAKI FJ180V PRO EDV-NR.SAA10099 - MOTOR-DICHTUNGSSATZ



| TEIL | STCK.NR | BEZEICHNUNG | STCK. | SER-NR.- | -SER-NR. | BEMERKUNG |
|------|----------|----------------------|-------|----------|----------|-----------|
| 1 | M151279 | DICHTUNG | 2 | | | |
| 2 | M151280 | ISOLATOR | 1 | | | |
| 3 | M149328 | RADIALDICHTRING | 1 | | | |
| 4 | M88478 | O-RING | 1 | | | |
| 5 | M151284 | DICHTUNG | 1 | | | |
| 6 | M151285 | RADIALDICHTRING | 2 | | | |
| 7 | M151282 | DICHTUNG | 1 | | | |
| 8 | M92529 | O-RING | 1 | | | |
| 9 | M152844 | ZYLINDERKOPFDICHTUNG | 1 | | | |
| 10 | M151283 | DICHTUNG | 1 | | | |
| 11 | M151286 | DICHTUNG | 1 | | | |
| 12 | M151346 | DICHTUNG | 1 | | | |
| 13 | M96844 | O-RING | 1 | | | |
| 14 | M151288 | DICHTUNG | 1 | | | |
| 15 | M151289 | DICHTUNG | 1 | | | |
| 16 | M149307 | DICHTUNG | 1 | | | |
| 17 | M151278 | DICHTUNG | 1 | | | |
| 18 | AM134881 | DICHTUNGSSATZ | 1 | | | |